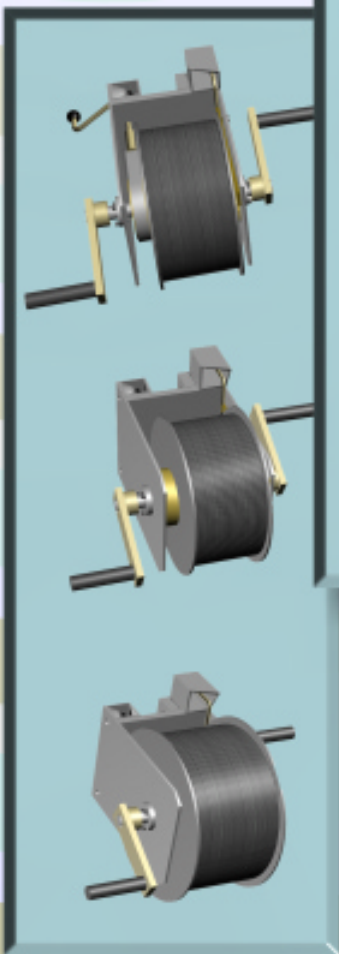
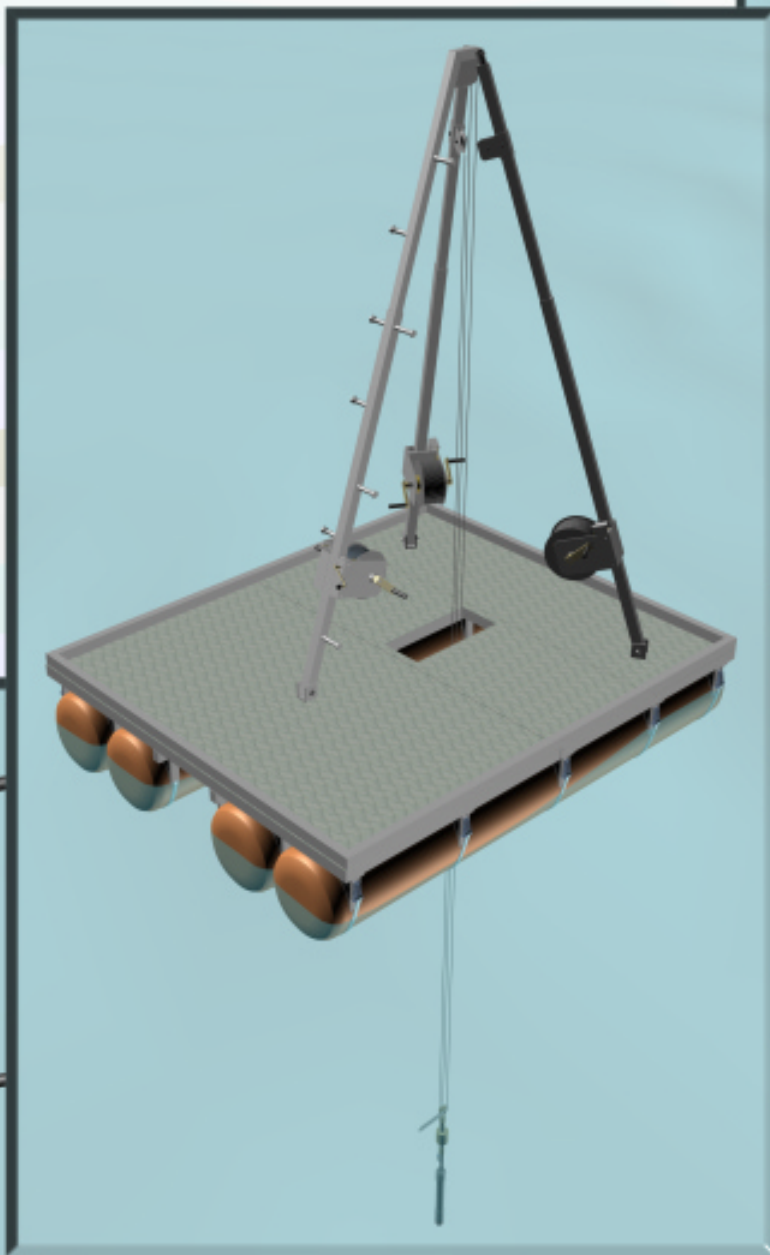


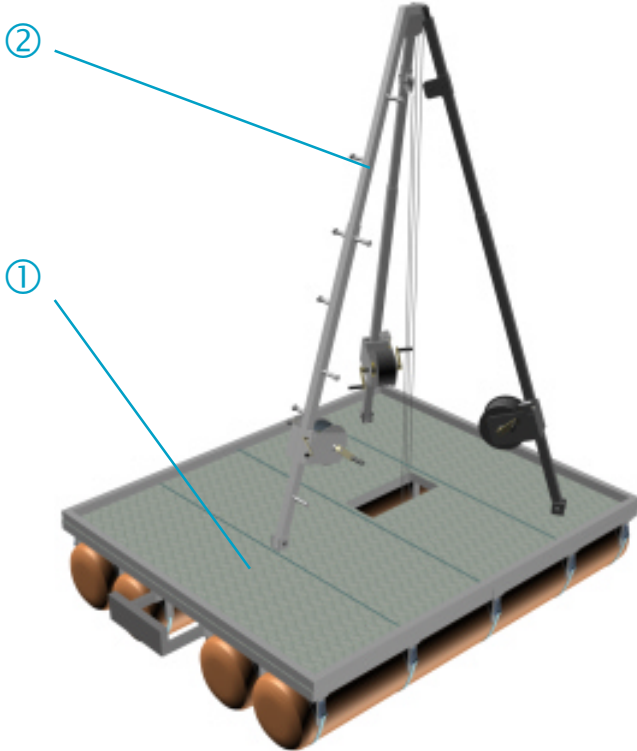
UNIVERSAL PROBENENTNAHME PLATTFORM

UNIVERSAL SAMPLING PLATFORM



TECHNICAL DATAS OF THE PLATFORM

Measures	L X B X H m	3,6 x 2,8 x 0,76	with floating hulls
Total weight	kg	app. 270	with tripod
Payload	kg	2600 kg	at 2/3 penetration depth
Floating hulls	4 pieces Trevira pontoons - metal barrels	Ø 58 cm x 400 cm Ø 58 cm x 90 cm	4 x 13 kg, metal barrel app. 20 kg p.



① UNIVERSAL SAMPLING PLATFORM

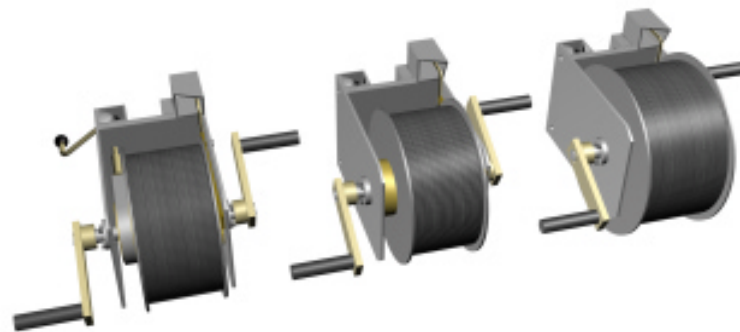
- Easy to transport because of the low weight
 - 4 Aluminium mounts 0,9 m x 2,8 m
 - Weight per sheet app. 36 kg
- Easy to install app. 1 hour
- Different floating variants usable
 - 2 rooms - Trevira pontoons on both sides - coated with Hypalon
 - Metal barrels 200 L world wide disposable
 - Fastening of the floating variants with stringbelts
- Holder for outbord-engine

② TRIPOD FOR PISTON CORER

- to use on
 - Platform - screwed
 - By land on (standboards) or on ice
- Easy to transport because of the telescopic legs
- You can run by hand winches on each of the tripod legs. For gear cable, striking rope, anchor or piston steel cable
- Gear cable runs over the pulley (at the end of the piston corer - sledge rod) and that's why the double tractive power and the security
- 3 pullies, one of them with an electronic counter are available

TECHNICAL DATAS FOR TRIPOD AND PISTON CORER

Measures	side measure X H m	2,7 x 4	
Total weight	kg	app. 60	
Payload	kg	1000 kg	
transport length	m	2,7	telescopic legs



WINCHES

- 3 models up to 300 m rope length
- Available with or without band brake
- Unreel safety because of the handle
- Several crank lengths available
- Easy to change the replacement coil with or without brake
- Also available with electro-drive instead hand crank

TECHNICAL DATAS FOR THE HAND CRANKS

Measures	L X B X H cm	50 x 40 x 40	without crank
Total weight	kg	app. 17	without rope
tractive power	until 60 kg	with 20 kg crank power	per crank with 20 cm length
	until 120 kg	with 20 kg crank powef	per crank with 40 cm length
crank lengths	cm	20/30/40	crank to connect
rope capacity	Gear cable Piston steel cable Sledge wight anchor ropel	max. 300m/5mm max. 300m/5mm max. 300m/8mm PE	with band brake and safety catch without band brake, with safety catch without brake and with safety handlee