

PPL-System

Protective Pipe & Liner - System

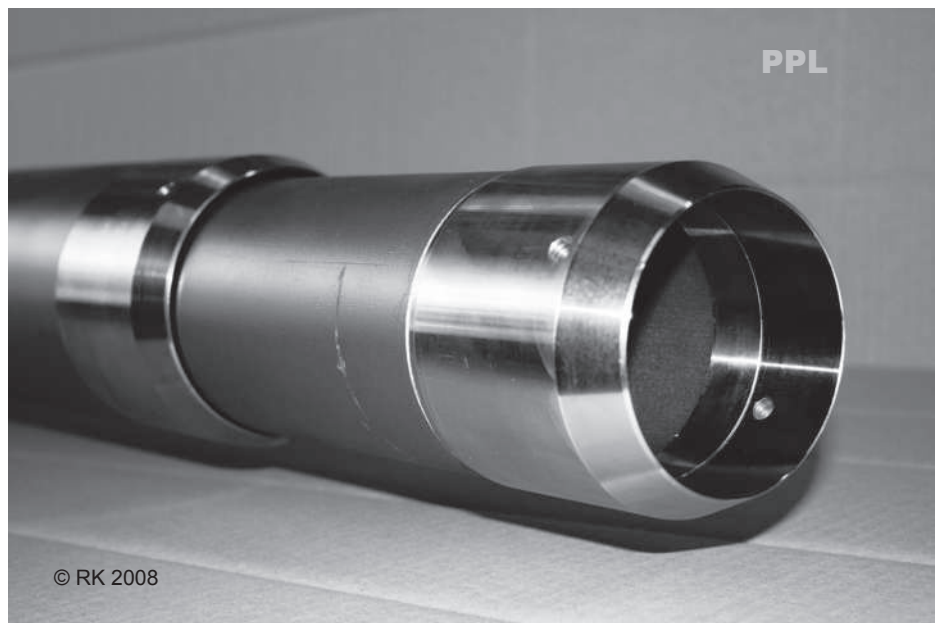


Carl Hamm

Röhrenwerk Kupferdreh Carl Hamm GmbH

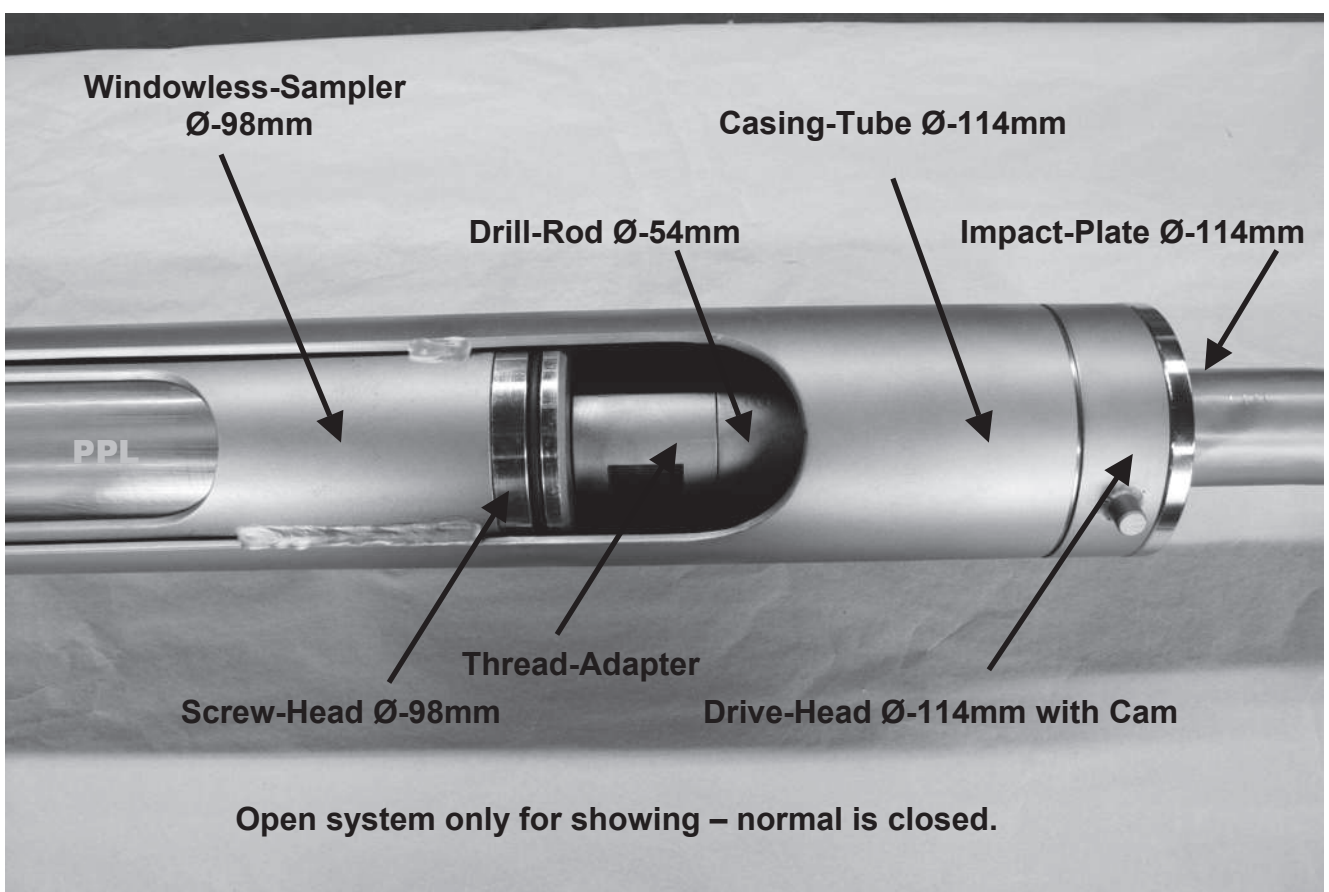
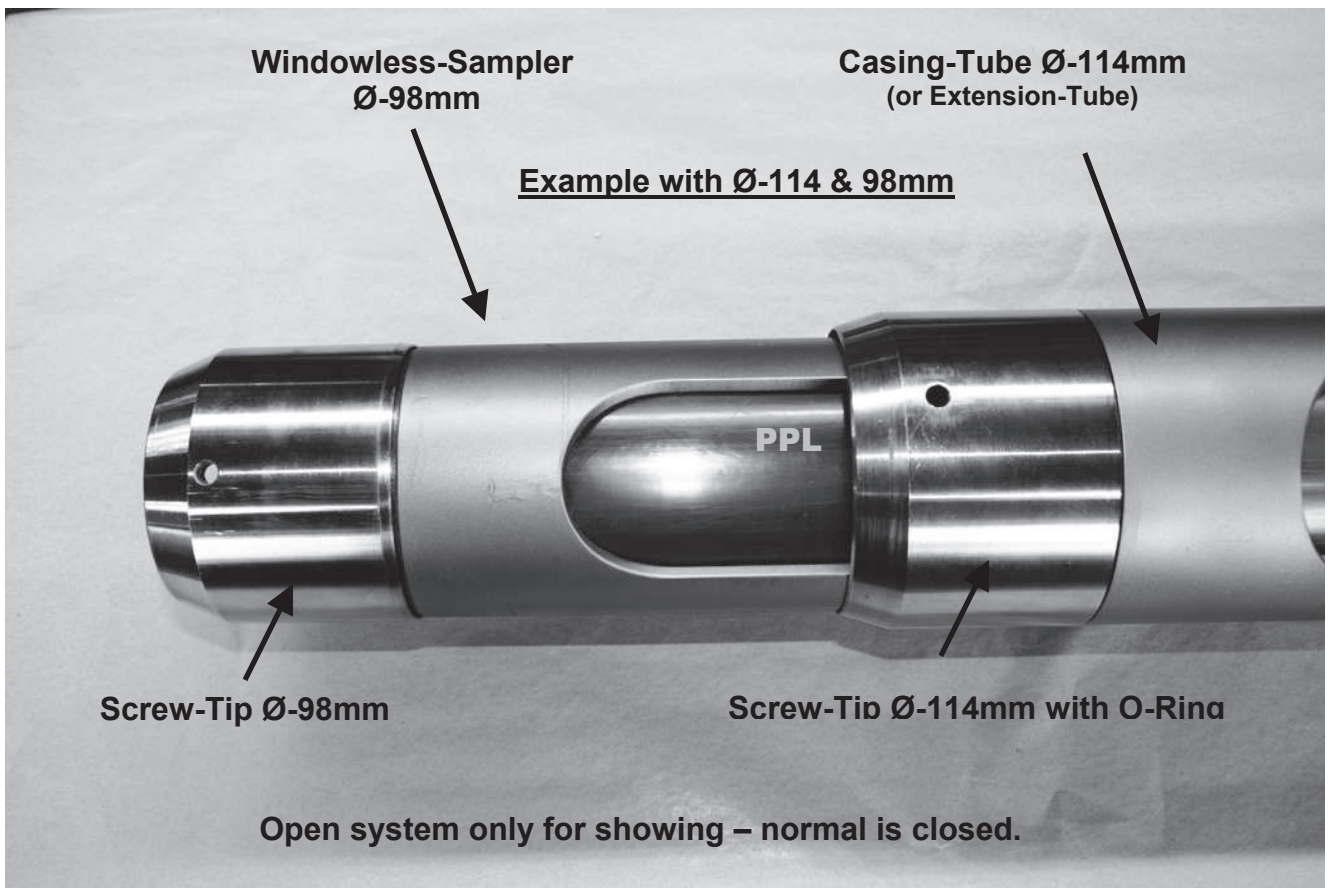
INFORMATION

PPL (Protective Pipe & Liner)
Casing-Tube & Windowless-Sampler

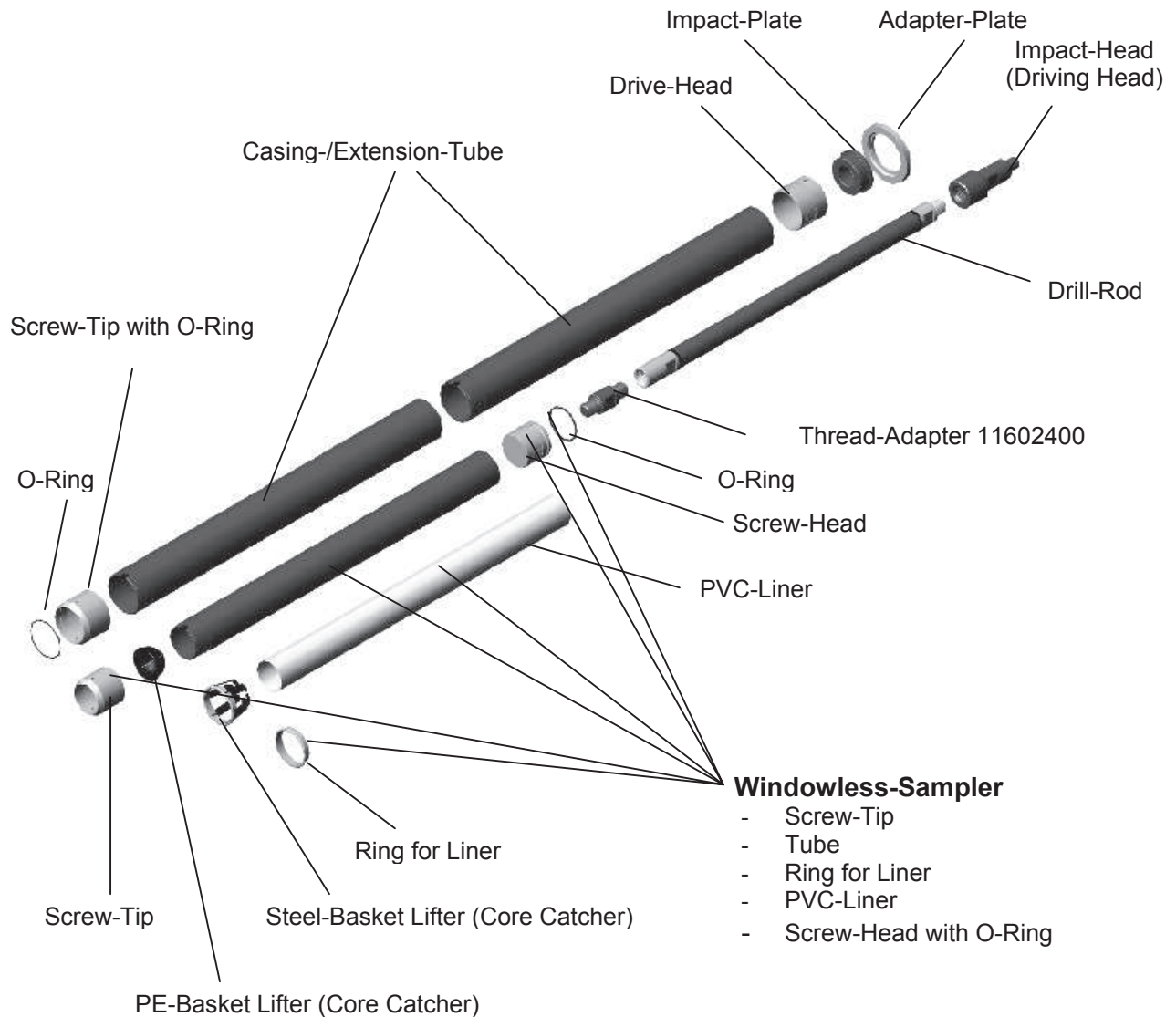


Röhrenwerk Kupferdreh Carl Hamm GmbH
Gasstraße 12 45257 Essen
Germany










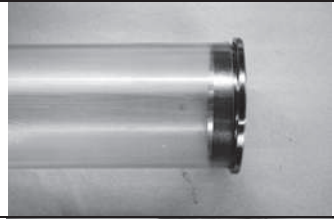

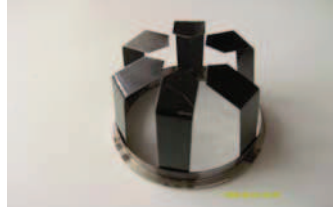
System-Overview for 2m with Windowless-Sampler & Casing-Tube



Equipment - Overview

	<p>Windowless-Sampler Ø-114 / 98 / 82 / 60 x ca.1.150mm complete</p> <ul style="list-style-type: none"> - 1x Screw-Tip - 1x Casing-Tube Ø- x 1.000 mm - 1x Screw-Head with O-Ring - 1x PVC-Liner Ø-102 / 87 / 65 / 46 x 1.000 x 1.0mm - 1x Ring for PVC-Liner
	<p>Extension-/Casing Tube Ø-114 / 98 / 82 / 60 x 1.000mm</p> <ul style="list-style-type: none"> - 1x Casing Tube Ø-114 / 98 / 82 / 60 x 1.000 mm
	<p>Screw-Tip with O-Ring Admission (for Casing-Tube) Ø-114 / 98 / 82mm</p> <p>O-Ring for Screw-Tip</p>
	<p>Screw-Tip (for Windowless-Sampler) Ø-114 / 98 / 82 / 60mm</p>
	<p>Screw-Head with O-Ring Admission – Ø-114 / 98 / 82 / 60mm Suitable thread adapter 116024000</p> <p>O-Ring for Screw-Head</p>
	<p>Drive-Head with Flat-Thread – with Cam Ø-114 / 98 / 82mm</p> <p>Drive-Head with Flat-Thread – without Cam Ø-114 / 98 / 82mm</p>
	<p>Thread-Adapter O/O Outside 2A/Outside 1 ½" Whithworth Key-surface SW 39mm</p>
	<p>Thread-Adapter O/O Outside/Outside 1 ½" Whithworth Key-surface SW 39mm</p>

Equipment - Overview

	<p>Drill-Rod Ø-54 x 1.000mm Inside/Outside 2A-Thread, SW 39mm</p> <p>Drill-Rod Ø-54 x 500mm Inside/Outside 2A-Thread, SW 39mm</p>
	<p>Impact-Head (Driving-Head) for Hammer riding with conical admission</p>
	<p>Impact-Head (Driving-Head) for Ram-sounding Admission for Brass Case Ø-32mm</p> <p>Impact-head for Ram-sounding – short execution Admission for Brass Case Ø-32mm</p>
	<p>Impact-Plate (Drive-Ring) flat for Windowless-Sampler Ø-114 / 98 / 82mm</p> <p>Adapter-Plate Ø-160mm for Extractor Ø-114 / 98 / 82mm</p>
	<p>Bandkey 23 – 300mm</p> <p>Tapkey (Taptool) 90 – 155mm</p>
	<p>PVC-Liner Ø-102 / 87 / 65 / 46 x 1.000 x 1.0mm</p> <p>Ring for PVC-Liner Ø-102 / 87 / 65 / 46mm</p>
	<p>Plug PE for PVC-Liner Ø-102 / 87 / 65 / 46mm</p> <p>(Pack a 100 pieces)</p>
	<p>Steel-Basket Lifter (Core Catcher) for PVC-Liner Ø-102 / 87 / 65 / 46mm</p> <p>PE-Basket Lifter (Core Catcher) for PVC-Liner (in Preparation) Ø-102 / 87 / 65 / 46mm</p>

Equipment OD Ø-114mm

- 116012000 Windowless-Sampler Ø- 98 mm complete
- 116012100 Extension-/Casing Tube Ø-114 x 1.000mm
- 116012200 Screw-Tip Ø-114mm with O-Ring
- 116012201 O-Ring for Screw-Tip
- 116012300 Screw-Tip Ø-114mm
- 116012400 Screw-Head Ø-114mm with O-Ring
- 116012401 O-Ring for Screw-Head
- 116012500 PVC-Liner Ø-102 x 1.000 x 1.0mm
- 116012501 PE-Plug Ø-102mm (Pack á 100 pieces)
- 116012600 Ring for PVC-Liner Ø-102mm
- 116012601 Steel-Basket Lifter for PVC-Liner Ø-102mm
- 116012602 PE-Basket Lifter for PVC-Liner Ø-102mm
- 116012700 Impact-Plate Ø-114mm
- 116012800 Drive-Head Ø-114mm with Cam
- 116012801 Drive-Head Ø-114mm without Cam
- 116012900 Adapterplate Ø-160mm für 116012800/116012801

Equipment OD Ø-98mm (System D)

- 116013010 Windowless-Sampler Ø-82mm complete
- 116013110 Extension-/Casing Tube Ø-98 x 1.000mm
- 116013210 Screw-Tip Ø-98mm with O-Ring
- 116013201 O-Ring for Screw-Tip
- 116013310 Screw-Tip Ø-98mm
- 116013410 Screw-Head Ø-98mm with O-Ring
- 116013401 O-Ring for Screw-Head
- 116013500 PVC-Liner Ø-87 x 1.000 x 1.0mm
- 116013501 PE-Plug Ø-87mm (Pack á 100 pieces)
- 116013600 Ring for PVC-Liner Ø-87mm
- 116013601 Steel-Basket Lifter for PVC-Liner Ø-87mm
- 116013602 PE-Basket Lifter for PVC-Liner Ø-87mm
- 116013700 Impact-Plate Ø-98mm
- 116013810 Drive-Head Ø-98mm with Cam
- 116013811 Drive-Head Ø-98mm without Cam
- 116013900 Adapterplate Ø-160mm für 116013810/116013811

Equipment OD Ø-98mm System GB (not compatibly with System D)

- 116013000 Windowless-Sampler Ø-98mm complete
- 116013300 Screw-Tip Ø-98mm
- 116013400 Screw-Tip Ø-98mm with O-Ring
- 116013401 O-Ring for Screw-Tip
- 116013600 Ring for PVC-Liner Ø-87mm

Equipment OD Ø-82mm

- 116014000 Windowless-Sampler Ø-60mm complete
- 116014100 Extension-/Casing Tube Ø-82 x 1.000mm
- 116014200 Screw-Tip Ø-82mm with O-Ring
- 116014201 O-Ring for Screw-Tip
- 116014300 Screw-Tip Ø-82mm
- 116014400 Screw-Head Ø-82mm with O-Ring
- 116014401 O-Ring for Screw-Head
- 116014500 PVC-Liner Ø-65 x 1.000 x 1.0mm
- 116014501 PE-Plug Ø-65mm (Pack á 100 pieces)
- 116014600 Ring for PVC-Liner Ø-65mm
- 116014601 Steel-Basket Lifter for PVC-Liner Ø-65mm
- 116014602 PE-Basket Lifter for PVC-Liner Ø-65mm
- 116014700 Impact-Plate Ø-82mm
- 116014800 Drive-Head Ø-82mm with Cam
- 116014801 Drive-Head Ø-82mm without Cam
- 116014900 Adapter-Plate Ø-160mm for 116014800/116014801

Equipment OD Ø-60mm

- 116016100 Extension-Tube Ø-60 x 1.000mm
- 116016300 Screw-Tip Ø-60mm
- 116016400 Screw-Head Ø-60mm with O-Ring
- 116016401 O-Ring for Screw-Head
- 116016500 PVC-Liner Ø-46 x 1.000 x 1.0mm
- 116016501 PE-Plug Ø-46mm (Pack á 100 pieces)
- 116016600 Ring for PVC-Liner Ø-46mm
- 116016601 Steel-Basket Lifter for PVC-Liner Ø-46mm
- 116016602 PE-Basket Lifter for PVC-Liner Ø-46mm
- 116016305 **NEW** Lost Con/Tip Ø-63mm
- 116016306 **NEW** Adapter for lost con (116016305)
- 116016307 **NEW** O-Ring for lost con (116016305)

NEW



116028007 – Linercutter

Accessories

- 116021000 Drill-Rod Ø-54 x 1.000mm, 2-Course
- 116021100 **NEW** Drill-Rod Ø-54 x 0.500mm, 2-Course
- 116022000 **NEW** Thread-Adapter Ø-54mm I/O – M22 / 2-Course
- 116022100 **NEW** Thread-Adapter Ø-54mm I/O – M30 / 2-Course
- 116022200 **NEW** Thread-Adapter Ø-54mm I/I – M22 / 2-Course
- 116022300 **NEW** Thread-Adapter Ø-54mm I/I – M30 / 2-Course
- 116022400 **NEW** Thread-Adapter I/I – M24 / 2-Course (for 116023000)
- 116023000 **NEW** Load Ring Vario 3,5to M24 (for Using with Rope)
- 116024000 Thread-Adapter A/A – Whithworth / 2-Course
- 116024100 Thread-Adapter A/A – Whithworth / Whithworth
- 116025010 Impact-Head (Driving-Head) for Hammer riding
- 116026010 Impact-Head for Ram-Sounding – short execution
- 116026012 **NEW** Impact-Adapter Ø-78mm I/I M22 / 2-Course
- 116027000 **NEW** Clamping shoe SW 39 mm
- 112709000 Brass Case Ø-32mm
- 116028000 Tapkey
- 116028001 Bandkey
- 113208000 Spanners 39 x 700mm
- 111601000 Jack-Grip House 22-84mm
- 111607000 Jack-Grip 50-54mm
- 111608000 Jack-Grip 60-64mm
- 111610000 Jack-Grip 80-84mm
- 111601100 Jack-Grip House 95-120mm
- 111610060 **NEW** Jack-Grip 48-56mm
- 111610060 Jack-Grip 97-101mm
- 111610100 Jack-Grip 100-114mm
- 116028004 **NEW** Cutter Metall Spezial
- 116028006 **NEW** Sickle-Cuts long 10er Pack
- 116028007 **NEW** Lincutter for PVC-Liner Ø 65-102mm

NEW



116022400 – Adapter
116023000 Load Ring Vario

All Prices are net,
EXW Essen (INCOTERMS 2000)
Price validity: 30. September 2009

This price list loses your validity with appearance of a new price list.
Are valid our „General Terms of Sale“