

MidRotoSonic XL MAX



Meet the difference

MRS XL MAX:

- Mineral sampling
- Environmental exploration
- Geotechnical sampling and testing
- Geo-constructional drilling
- Seismic drilling
- Customized solutions

The MidRotoSonic XL MAX (MRS XL MAX) is upgraded from the reliable CRS XL platform and build to host the powerful LS 50k Sonic drillhead in a relatively small package. The MRS XL MAX accelerates drill speed, capacity and boosts your productivity.

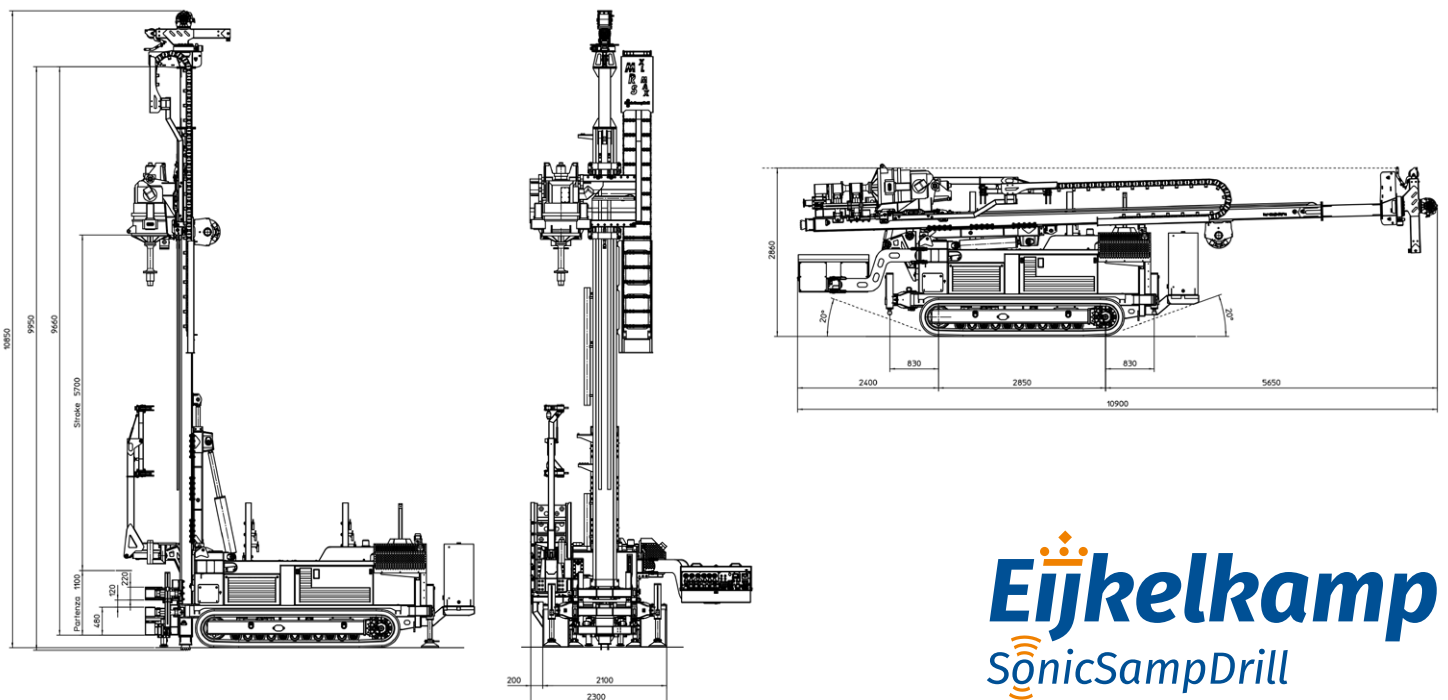


MidRotoSonic Drill head	Metric	Imperial
Max. frequency	0 - 150 Hz	0 - 150 Hz
Sonic vibration oscillator output force	227 kN	50 k lbf
2 eccentrics, mechanically synchronized		
Rotation torque: clockwise 0-140 rpm	5.605 Nm @ 240 bar	4,134 ft-lbf @ 3,480 psi
Rotation torque: counter clockwise	7.200 Nm @ 310 bar	5,315 ft-lbf @ 4,495 psi
Head tilt max.	90°	90°
Type of damper / buffer	air cushion	air cushion
Max. hydraulic pressure on sonic	310 bar	5,000 psi
Mass of head	1.200 kg	2,700 lbf
Pull up force in combination with sonic	10.000 daN	22,480 lbf
Pull down force in combination with sonic	10.000 daN	22,480 lbf
Pull up force static	10.000 daN	22,480 lbf
Pull down force static	10.000 daN	22,480 lbf
Drilling under angle perpendicular driving direction	10°	10°
Advised power from rig engine	186 / 265 kW	250 / 355 HP

Rig	Metric	Imperial
Caterpillar 6 cylinder water cooled engine	200 kW	275 HP
Dimensions folded (L x W x H) approx.	8.850 x 2.310 x 2.995 mm	29' x 7'7" x 9'11"
Height (when drilling) max.	7.500 mm	24'7"
Mass approx.	15.000 kg	33,000 lbs
Fuel tank (diesel)	190 liter	50 gallon
Load sensing hydraulic system	Included	Included
Control panel on turning arm	Included	Included
High pressure water pump	19 l/min. @ 210 bar	5 gpm @ 3,045 psi
Large flow water pump	160 l/min. @ 45 bar	42 gpm @ 652 psi
Aluminum water tank	500 liter	132 gallon
Rubber tracks	Included	Included
Radio remote for driving	Included	Included
Work lights	4	4

Mast	Metric	Imperial
Stroke	5.200 mm	17'
Mast dump	1.000 mm	3' 3 1/8"
Pull up	120 kN	26,977 lbf
Pull down	80 kN	17,984 lbf
Pull up and down speed	45 m/min	147 ft/min
Double hydraulic break out clamp	60 - 350 mm	2 3/8" - 13 7/8"
Adjustable clamping force of	250 kN	56,202 lbf
Break out torque	78 kNm	57,530 ft-lbf
Hydraulic break out cylinder	Included	Included
Main winch	1000 daN, 100 m/min, 100 m	2,250 ft-lbf, speed 328' /min, 328'

Rod / casing handler		
Mechanical separators among different rod layers	Included	Included
Casing or drill rod storage depends on diameter and length	Included	Included





Options	Metric	Imperial
SPT auto drop hammer with blow counter on control panel		
Casing lifter mounted on break out clamp	200 kN stroke 300 mm	45,000 lbs stroke 12"
Pneumatic separators among different rod layers		
Duplex mud pump	570 liter @ 45 bar	150 gallon @ 652 psi
SPX40 hose pump	114 l/min @ 9.6 bar	30 gpm @ 140 psi
Steel tracks		
Triple floatable clamp		
ManipAll 300 (magnetic rod loading arm)		
Safety cage		
Rotatable jibboom with second winch		



For more information on demos, pilot projects or personal advice contact our sales department !

For urgent service calls and/or technical information contact or special service telephone: +31 6 15 08 87 42



Výhradní zastoupení pro ČR a SR

Mokropeská 1832
Černošice
Česká republika

+420 251 640 511
info@ekotechnika.cz
www.ekotechnika.cz