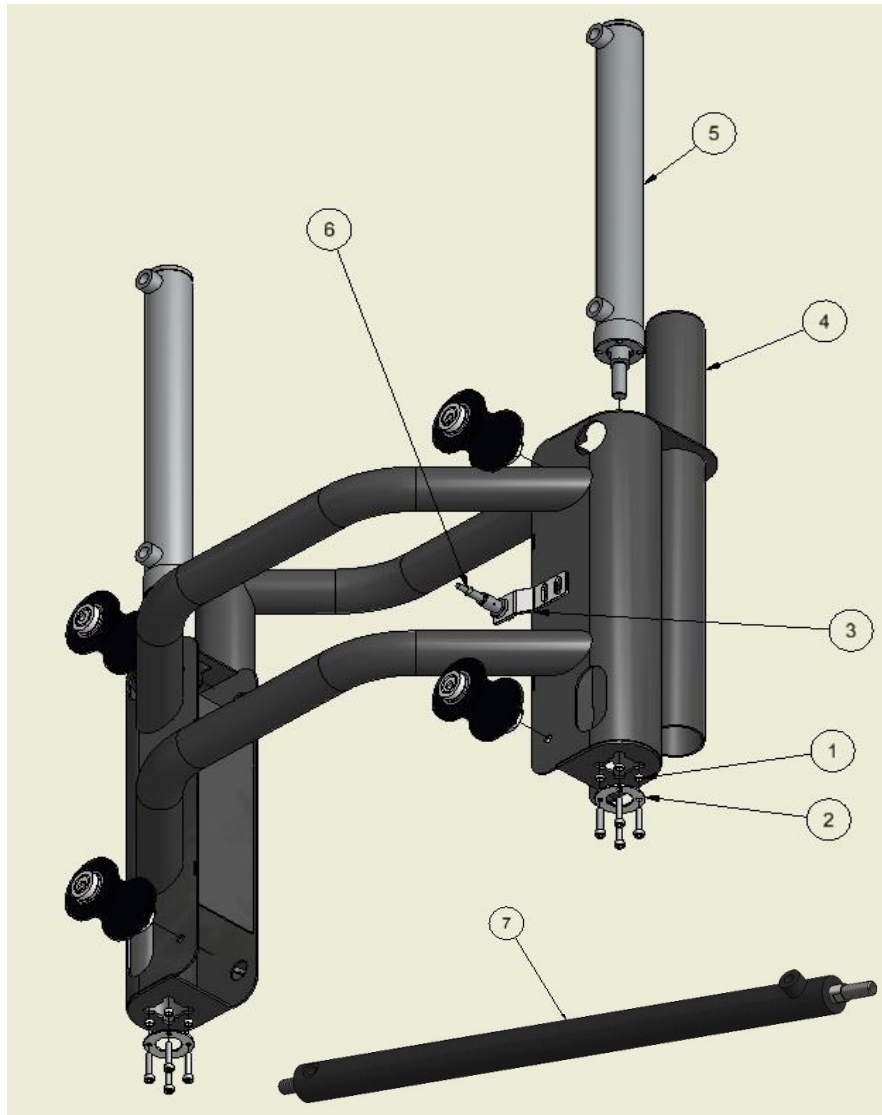


# SPARE PARTS CATALOGUE WINTEX 1000S

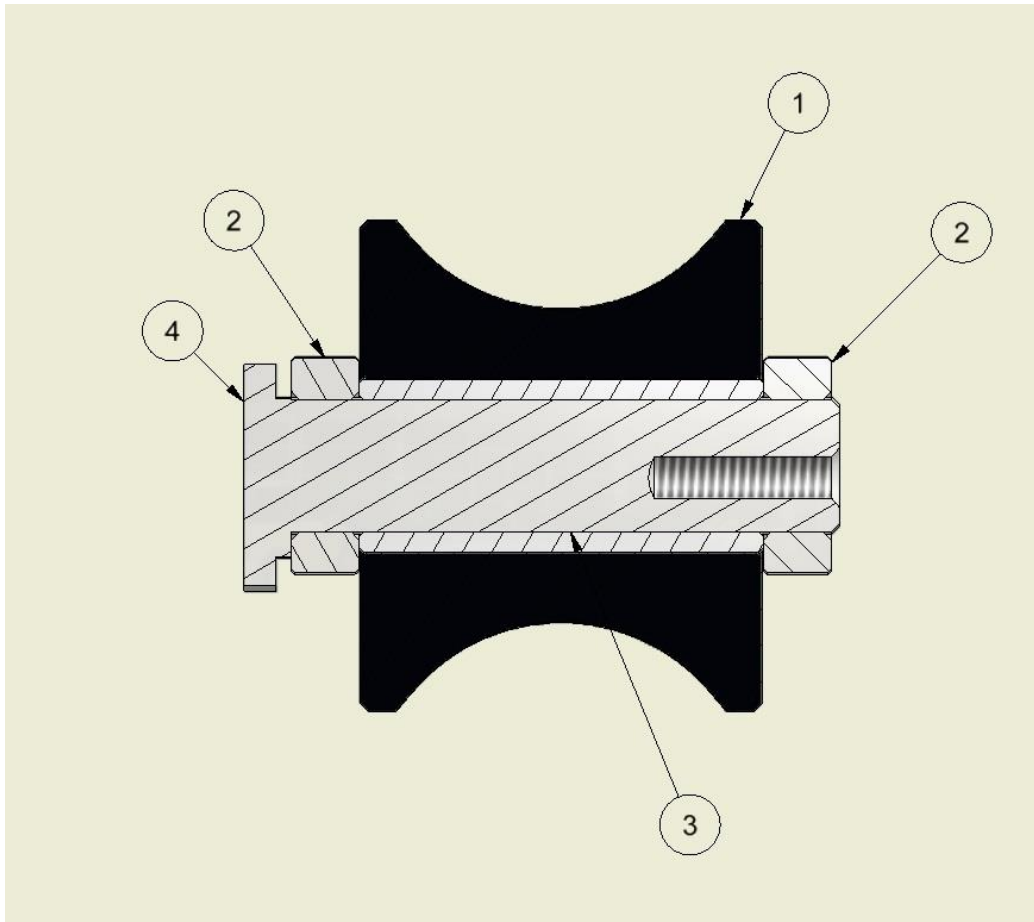


## FIXED FRAME



PART NO.	ART. NO.	ARTICLE
1	50101015	Spacer ring f. Jack cylinder
2	50101016	Cylinder washer
3	50101017	Sensor fitting
4	50101018	Fixed frame
5	50101020	Jack cylinder V12
6	50101021	Sensor
7	18101101	Hammer cylinder

## GUIDING ROLL

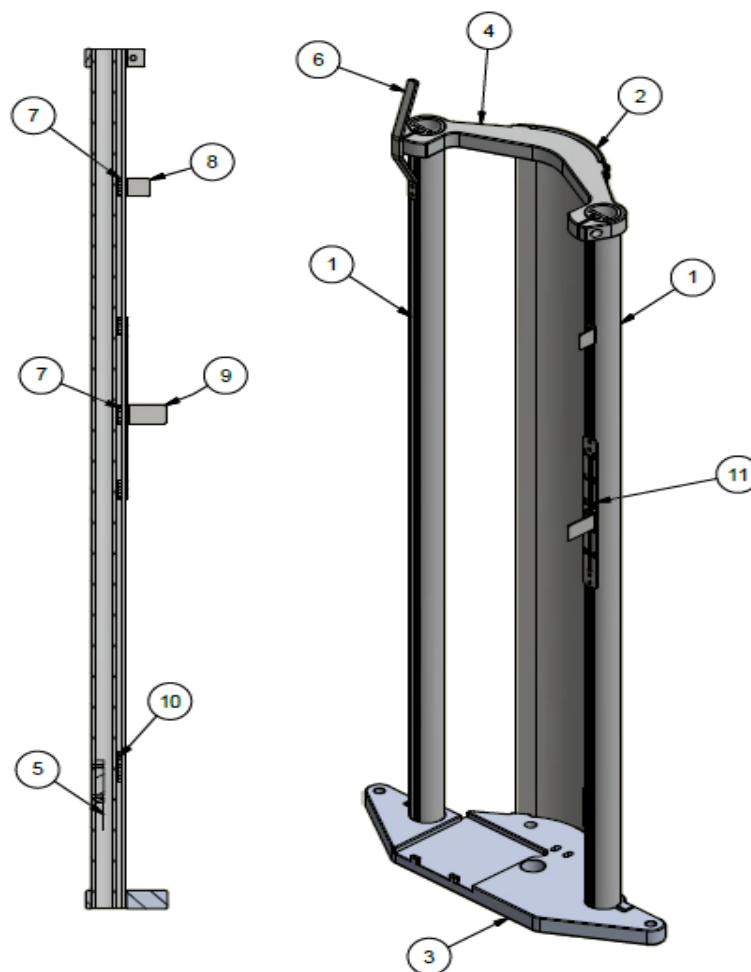


PART NO.	ART. NO.	ARTICLE
1	50101038	Guiding roll
2	50101063	Spacer ring guiding roll
3	50101064	Bushing
4	50101065	Eccentric bolt





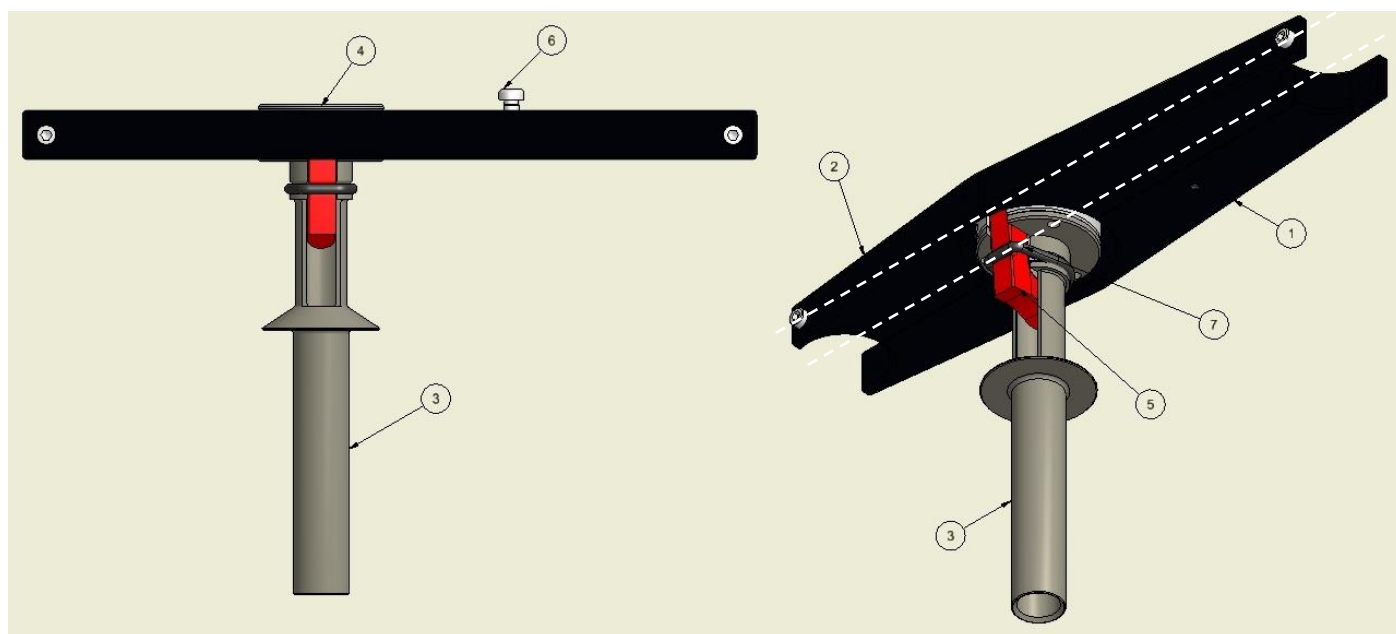
## LOWERING FRAME



PART NO.	ART. NO.	ARTICLE
1	18101021	Guiding pipe
2	18101022	Outer cover
3	18101023	Bottom plate
4	50101024	Top plate
5	50101025	Retainer f. scraper unit
6	50101026	Hose guide
7	50101027	Retaining plate M6-C16
8	50101030	Sensor plate top
9	50101029	Sensor plate bottom
10	50101032	Key 3xM6
11	18101152	Ruler 0-30 cm



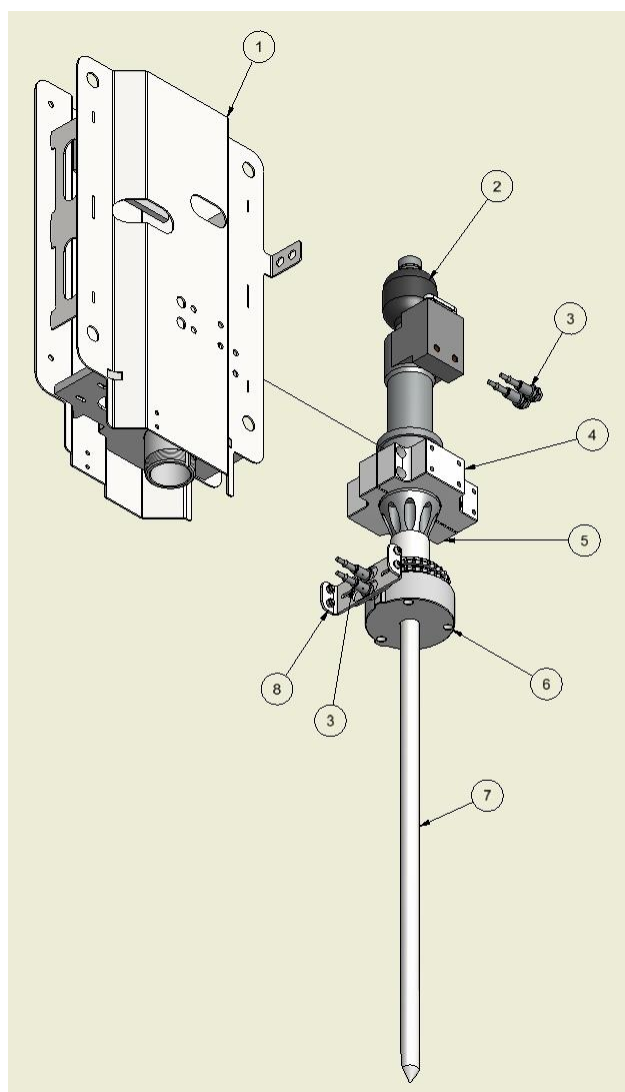
## SCRAPER UNIT



PART NO.	ART. NO.	ARTICLE
1	18101032	Retainer f. scraper unit, back
2	18101033	Retainer f. scraper unit, towards outer cover
3	50101034-22	Guiding pipe f. 22 mm probe
3	50101034-26	Guiding pipe f. 26 mm probe
4	50101005-22	Revolving platform f. 22 mm probe
4	50101005-26	Revolving platform f. 26 mm probe
5	50101003-22	Scraper f. 22 mm probe
5	50101003-26	Scraper f. 26 mm probe
6	60101037	Fitted bolt, M8x12 mm
7	50101004	O-ring f. scraper
-	50101039	Spring roll pin 8x30 mm



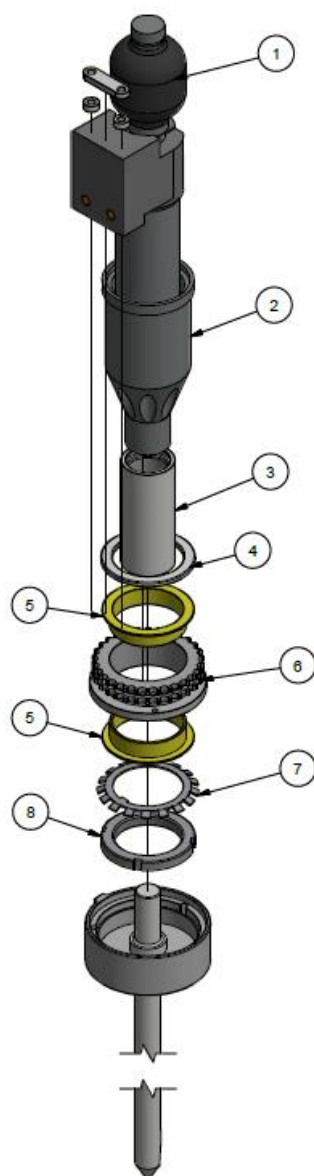
## HAMMER CARRIAGE



PART NO.	ART. NO.	ARTICLE
1	18101064	Hammer carriage
2	18101054	Hydraulic hammer
3	50101021	Sensor
4	50101050	Hammer fitting A
5	50101051	Hammer fitting B
6	18101106-22	Rotary sensor plate f. 22 mm probe
6	18101106-26	Rotary sensor plate f. 26 mm probe
7	18101001-22	Probe 22 mm
7	18101001-26	Probe 26 mm, 16 mm slit
7	18101003	Probe 26 mm, 14 mm slit
8	18101065	Sensor retainer



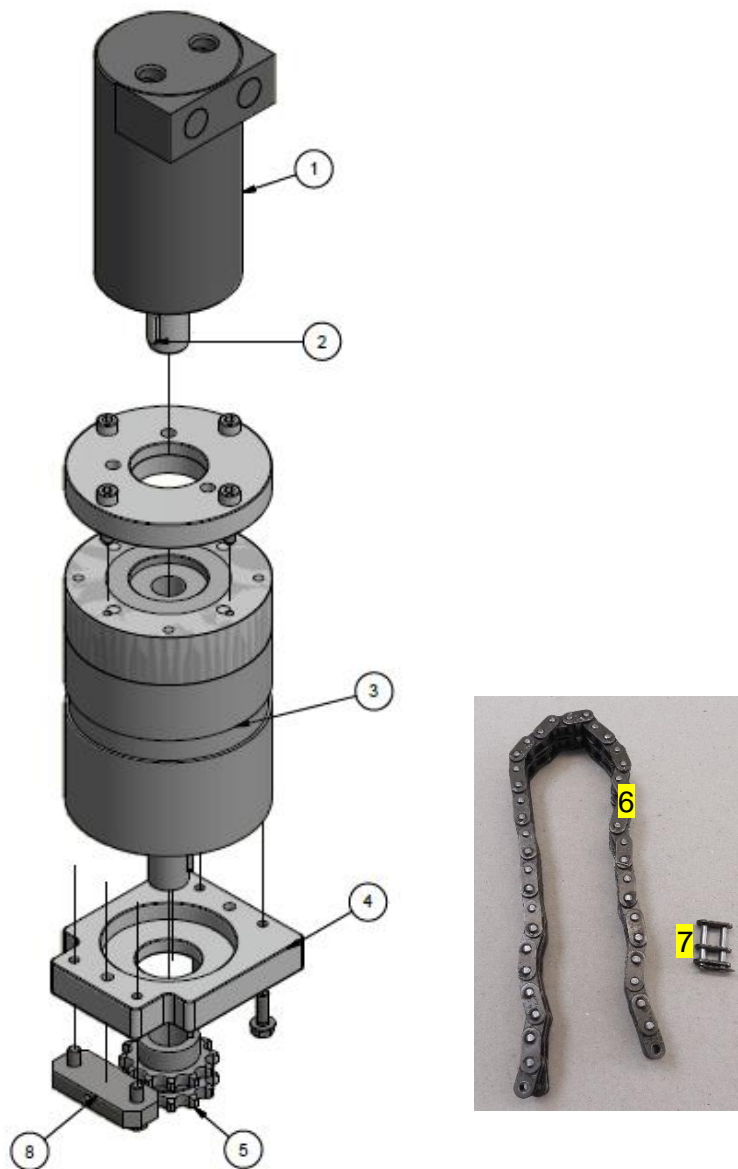
## HAMMER CARRIAGE



PART NO.	ART. NO.	ARTICLE
1	50101160	Accumulator
2	50101122	Bottom part hammer
3	50101049-22	Retainer f. 22 mm probe
3	50101049-26	Retainer f. 26 mm probe
4	50101043	Spacer ring
5	50101044	Slide bearing
6	50101045	Sprocket f. rotation, 30 teeth
7	50101007	Lock washer
8	50101006	Nut, M60 mm



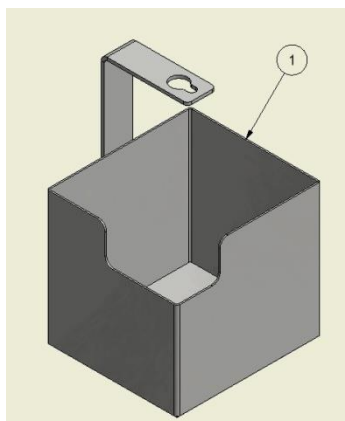
## HAMMER CARRIAGE



PART NO.	ART. NO.	ARTICLE
1	18101056	Oil motor
2	50101048	Parallel key
3	50101056	Planetary gear
4	50101060	Bottom plate hammer carriage
5	50101046	Gearwheel f. rotation, 12 teeth
6	50101009	Chain f. rotation
7	50101012	Chain joint
8	50101173	Chain tensioner

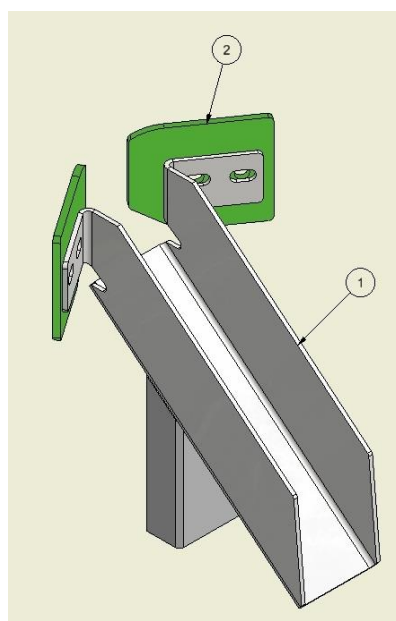


## SOIL BOX



PART NO.	ART. NO.	ARTICLE
1	18101011	Soil box

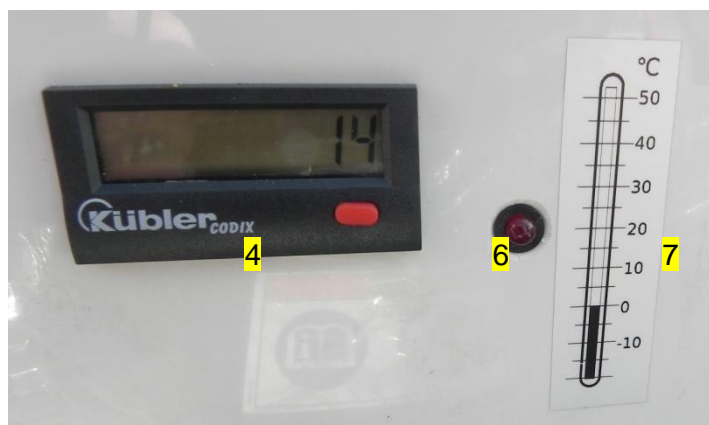
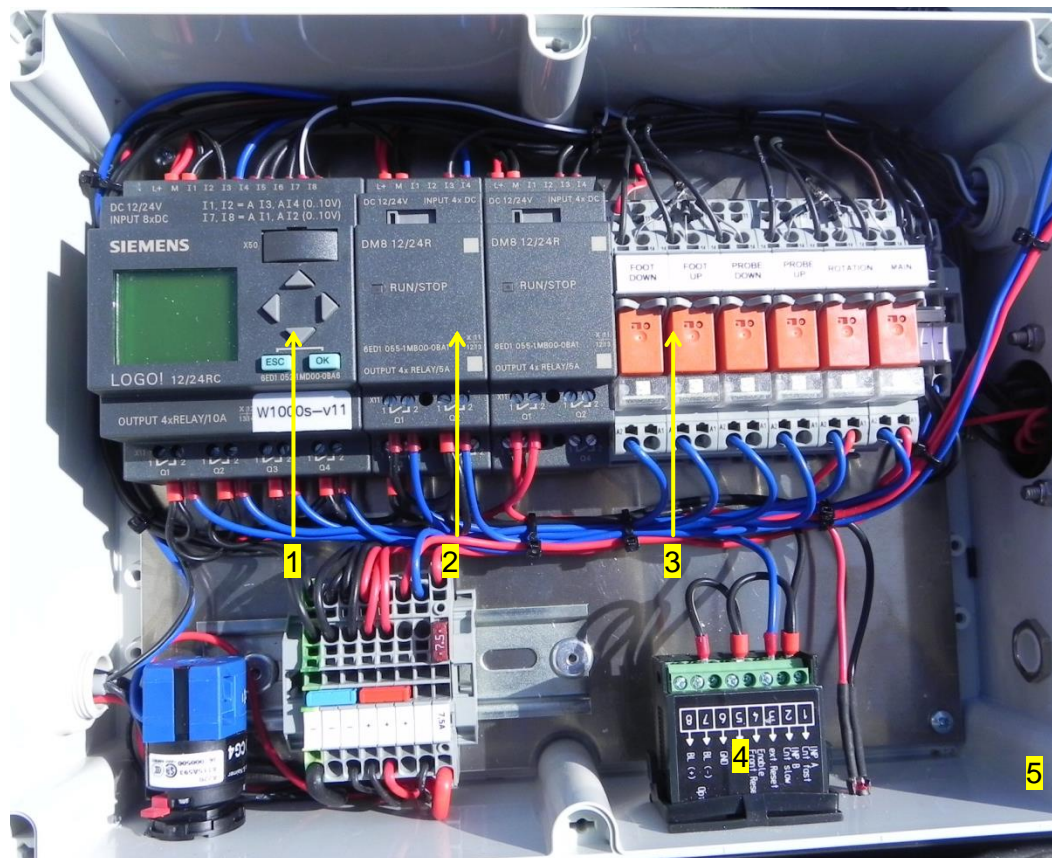
## FUNNEL FOR EMPTYING



PART NO.	ART. NO.	ARTICLE
1	18101066	Reatiner f. emptying
2	50101014	Scraper blade



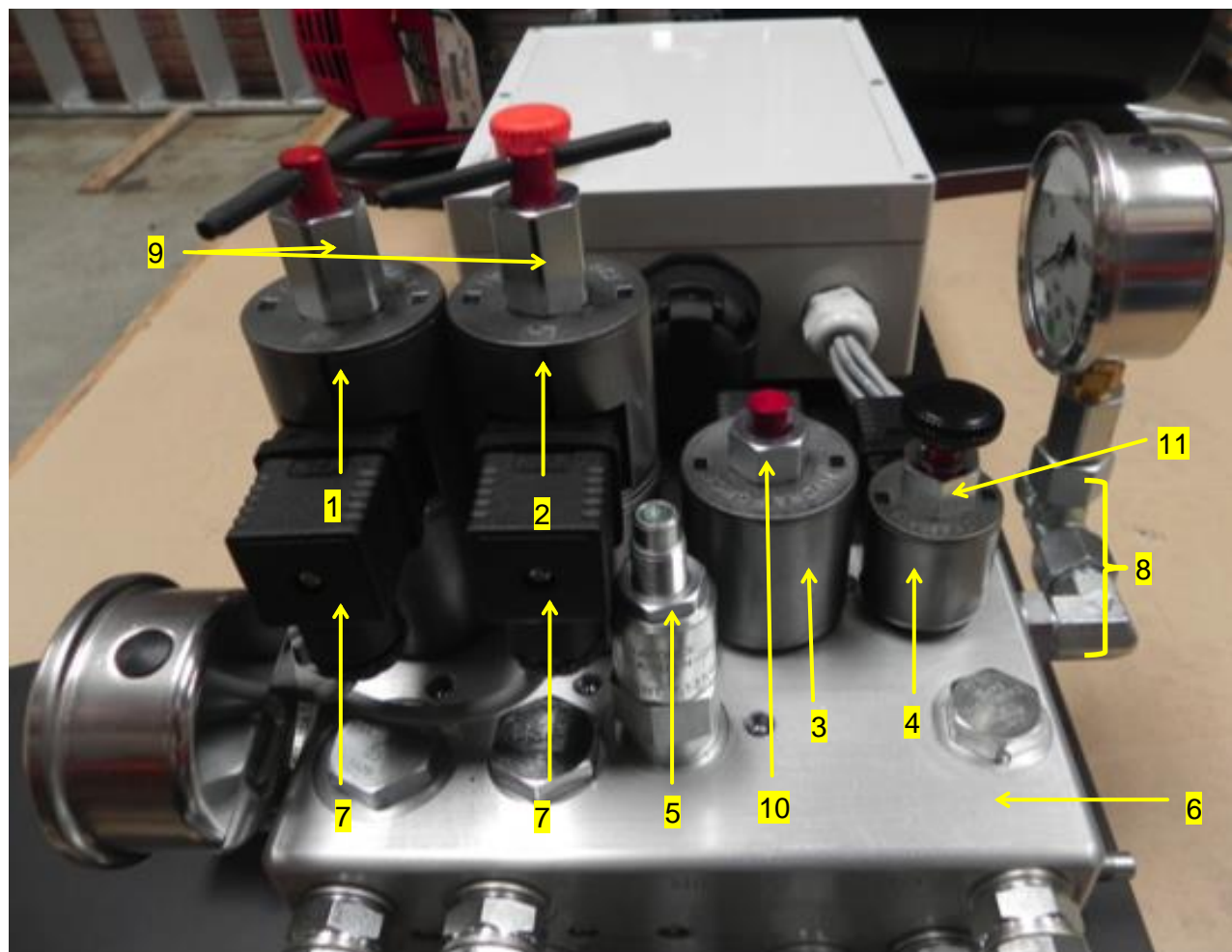
## ELECTRICITY BOX



PART NO.	ART. NO.	ARTICLE
1	18101067	PLC-logo w. programme
2	50101073	Logo extension
3	15101154	Relay 16 amp
4	15101084	Counter
5	18101091	Electricity box, complete
6	50101151	Temperature warning light
7	50101152	Label thermometer
8	15101183	Switch f. rotation



## HYDRAULIC BLOCK WITH VALVES

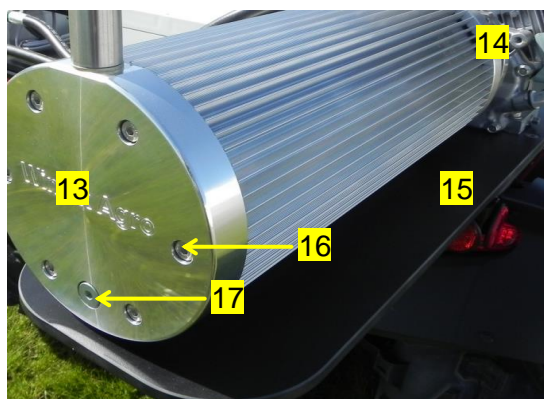
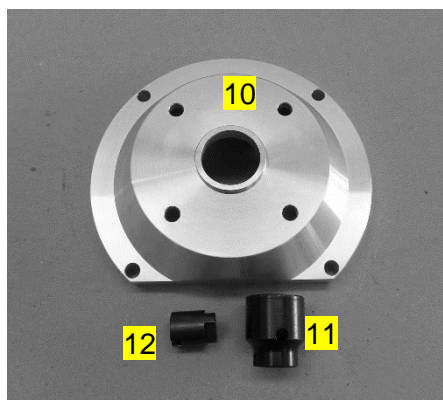
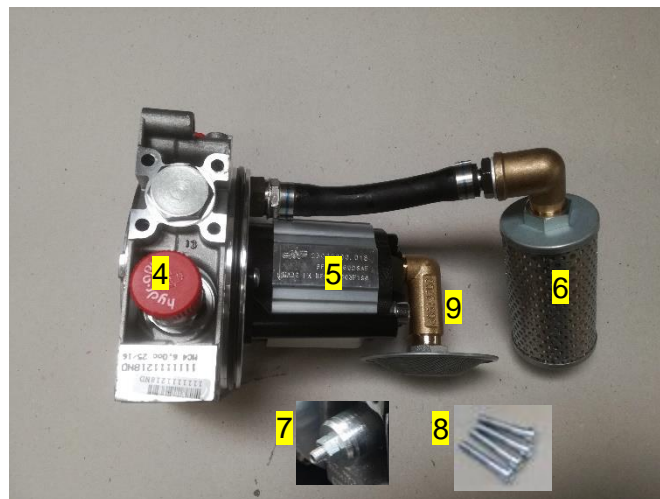
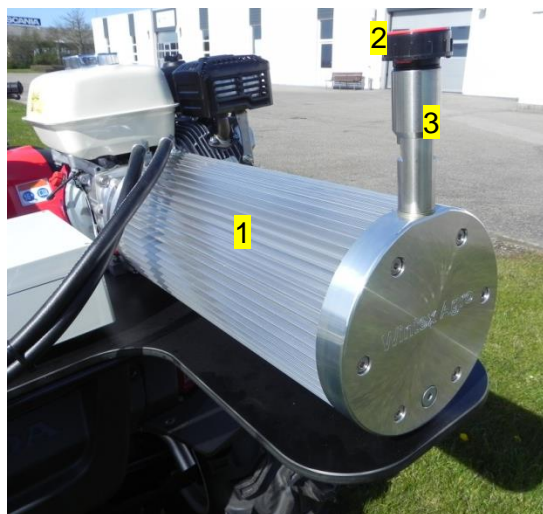


PART	ART. NO.	ARTICLE
1	50101078	Valve coil, lowering frame up/down
2	50101079	Valve coil, probe up/down
3	50101080	Valve coil f. rotation
4	50101081	Valve coil f. main valve
5	50101082	Adjustable valve f. probe/hammer
6	50101083	Valve block
7	50101084	3-pole plug
8	15101252	Manometer connection
9	50101187	Valve f. probe/hammer
10	50101188	Main valve
11	50101189	Valve f. rotation





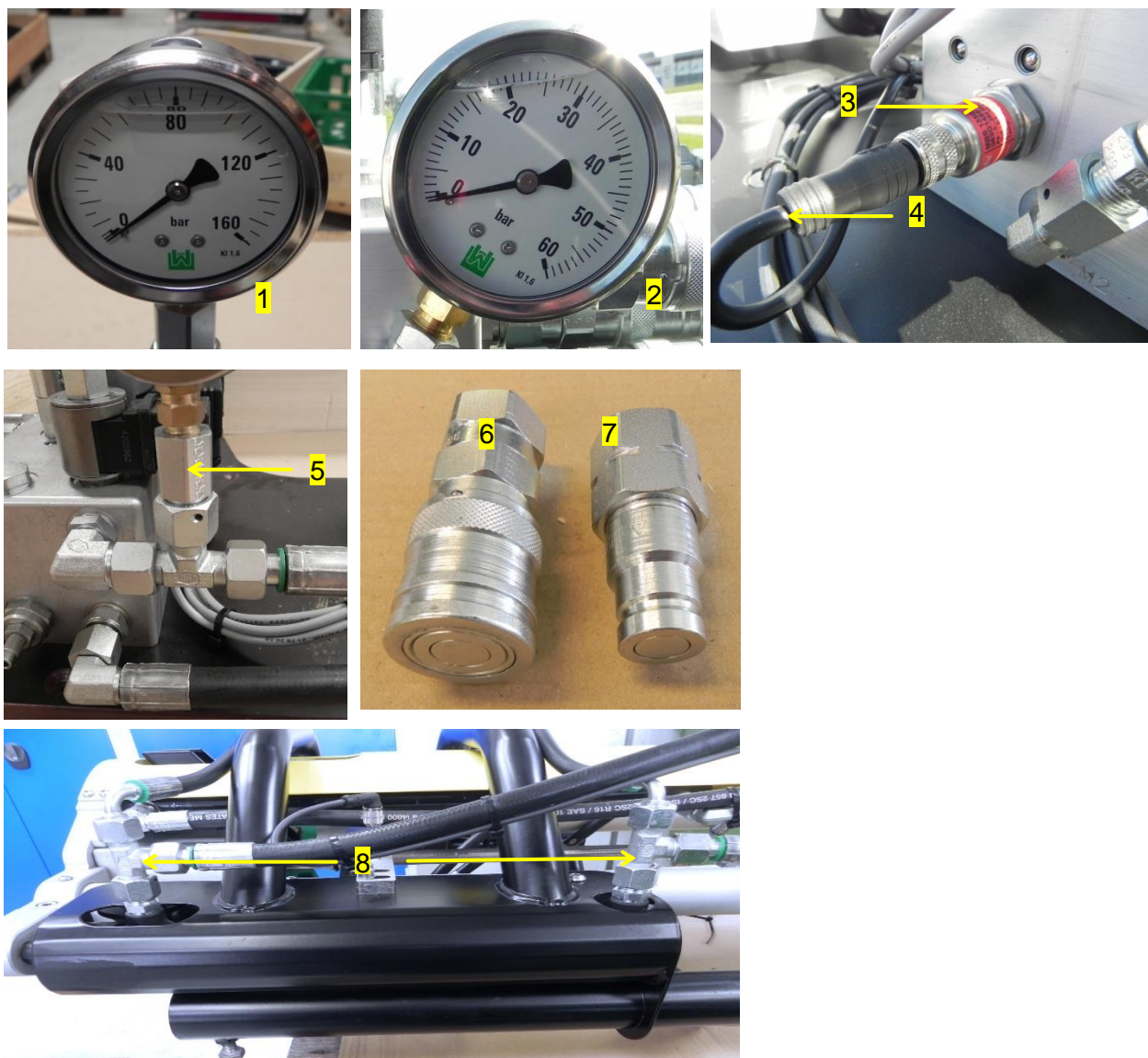
## HYDRAULIC PUMP WITH TANK



PART	ART. NO.	ARTICLE
1	50101086	Aluminium pipe f. oil tank
2	15101196	Oil level rod w. filter cap
3	50101154	Pipe f. refilling of oil
4	50101090	Cap f. excess-pressure valve
5	50101053	Oil pump 6,3CC
6	50101198	Return filter 3/8"
7	60101054	Insex-bolt, M6x40 mm
8	50101058	Excess-pressure valve
9	50101183	Oil strainer f. hydr. pump
10	15101149-1	Flange f. Honda engine 20x50 mm EU
	15101149-2	Flange f. Honda engine 3/8"x50 mm US
11	15101150-1	Motor coupling f. engine 20 mm EU
	15101150-2	Motor coupling f. engine 3/8" US
12	15101184	Motor coupling f. hydraulics
13	50101155	Plate f. oil tank front
14	50101156	Plate f. oil tank back
15	50101190	Compact laminate f. GX200 engine
16	60101267	Insex bolt, low head, M8x40 mm
	15101195	Gasket f. bolt f. oil tank
17	50101180	Plug
18	14101057	Gasket sealer, 200 ml



## HYDRAULICS

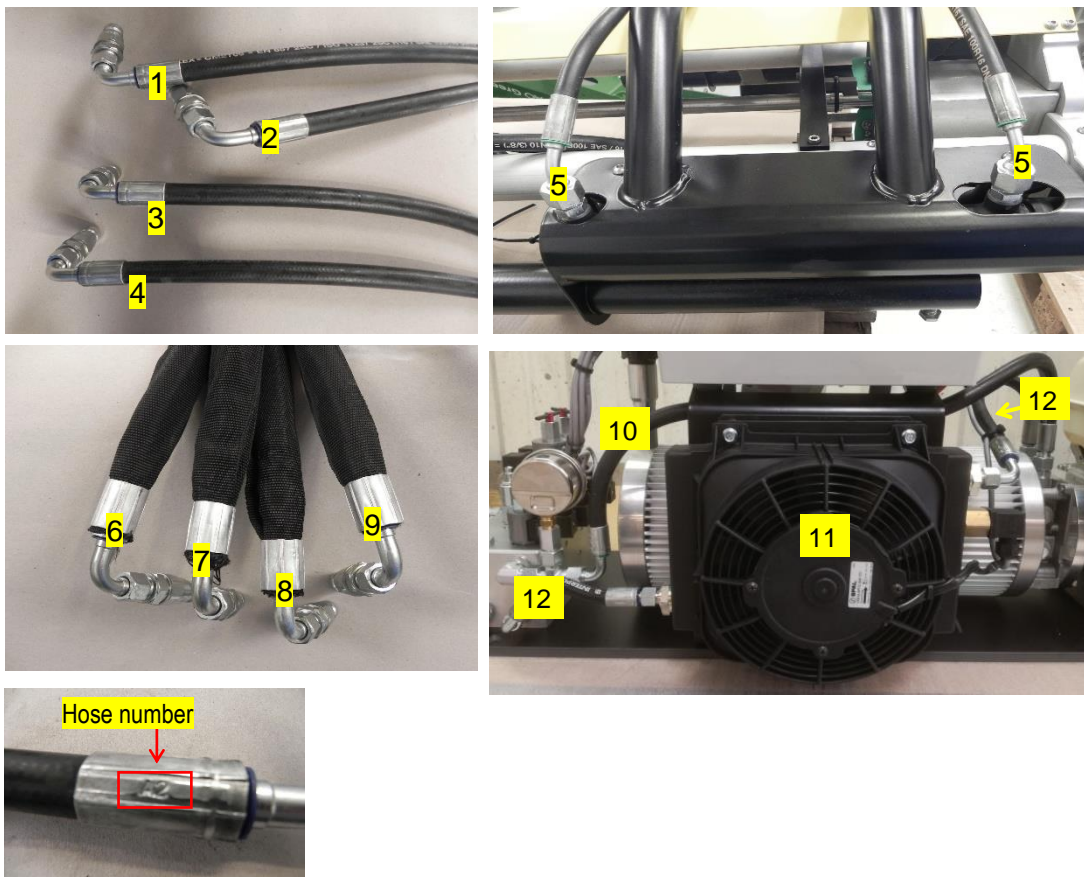


PART	ART. NO.	ARTICLE
1	50101067	Manometer 0-160 bar
2	15101144	Manometer 0-60 bar
3	50101157	Transducer
4	50101158	Cable and plug f. transducer
5	50101071	Valve shut-off
6	50101092	Female coupling, flatface, 3/8"
7	50101093	Male coupling, flatface, 3/8"
8	50101096	T-adaptor w. compression nut





## HYDRAULIC HOSES



PART	ART. NO.	ARTICLE
1	50101097	Hose A1, 820 mm
2	50101098	Hose A2, 1600 mm
3	50101099	Hose B1, 1080 mm
4	50101100	Hose B2, 1100 mm
5	50101101	Hose f. Jack cylinder
6	18101109	Hose A3, 1600 mm
7	18101112	Hose B3, 1700 mm
8	50101104	Hose H, 1730 mm
9	50101105	Hose T2, 1640 mm
10	50101106	Hose P, 780 mm
11	50101169	Radiator w. fan, 12V
12	50101167	Hose f. radiator, 340 mm



## ELECTRICITY AND ENGINE



PART	ART. NO.	ARTICLE
1	50101108	13-pole female plug
2	50101109	13-pole male plug
3	15101080	Emergency stop
4	50101111	4-wire cable
5	50101112	12 V cable
6	15101060	Start switch f. ATV
7	15101061	Foot switch
8	15101273	Fitting f. foot switch
9	50101116	Diode
10	50101117	Honda GX200 engine
11	50101165	Remote control
12	50101197	Extended remote control



## VARIOUS PARTS



PART	ART. NO.	ARTICLE
1	15101132	Funnel f. filling of bags
2	15101129	Support rod
3	50101120	Wintex special spanner
4	18101059	Label Wintex 1000s
5	50101136	Mounting frame
6	50101091	Fitting f. mounting frame
7	18101152	Ruler 0-30 mm

