

CompactRotoSonic V (CRS-V)



CRS-V: Multi-purpose sonic rig

- Mineral sampling
- Environmental exploration
- Geotechnical sampling and testing
- Geo-constructional drilling
- Seismic drilling
- Customized solutions

The CompactRotoSonic V is built to perform in the most diverse working conditions and its stability and rigidity optimize the power of the drill head. The crawler excels in small spaces because of the great manoeuvrability.

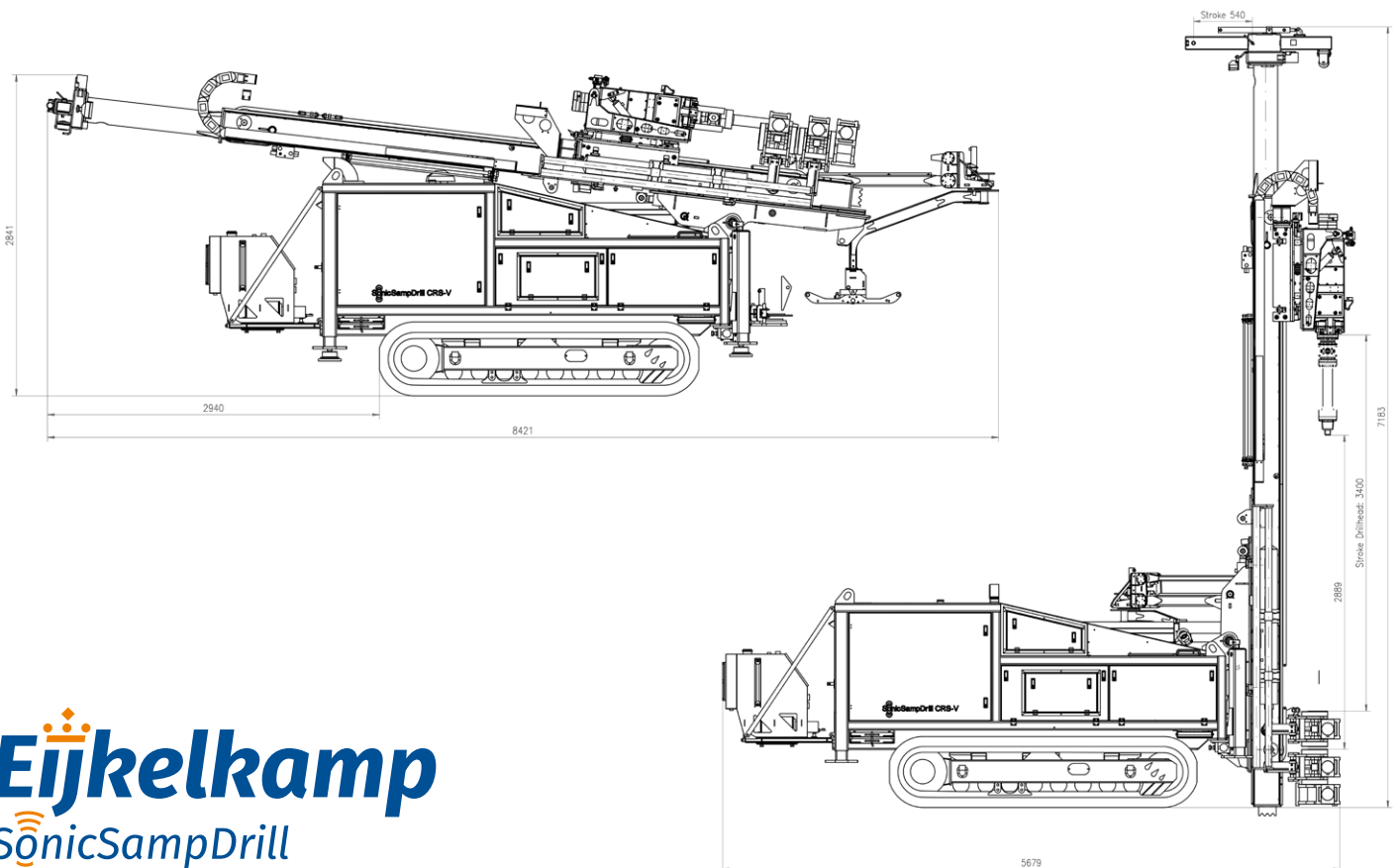
CRS-V Crawler

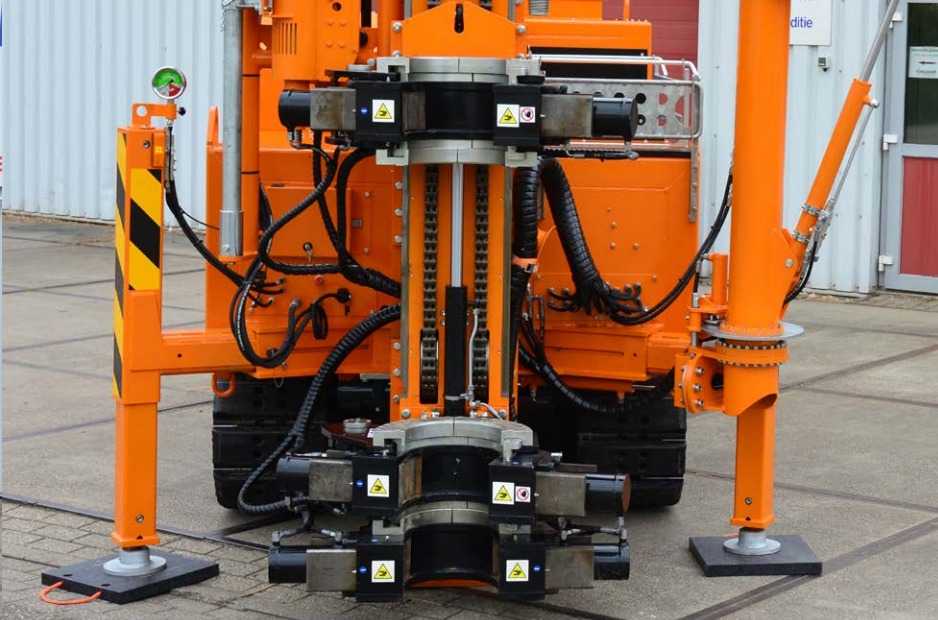


CompactRotoSonic HO Drill head	Metric	Imperial
Max. frequency	0 - 150 Hz	0 - 150 Hz
Sonic vibration oscillator output force	150 kN	33.8 k lbf
2 eccentrics, mechanically synchronized	Included	Included
Rotation torque: clockwise 0-120 rpm	2.650 Nm @ 185 bar	1,955 ft-lbf @ 2,680 psi
Rotation torque: counter clockwise	3.000 Nm @ 210 bar	2,210 ft-lbf @ 3,045 psi
Head tilt max.	70 degr.	70 degr.
Type of damper / buffer	rubber 4x	rubber 4x
Max. hydraulic pressure on sonic	230 bar	3,335 psi
Mass of head	600 kg	1,350 lbs
Pull up force in combination with sonic	5.000 daN	11,240 lbf
Pull down force in combination with sonic	5.000 daN	11,240 lbf
Pull up force static	10.000 daN	22,480 lbf
Pull down force static	5.500 daN	12,400 lbf
Drilling under angle perpendicular driving direction	45 degr.	45 degr.
Advised power from rig engine	127 kW	170 HP

Rig	Metric	Imperial
Caterpillar 4 cylinder water cooled engine	129 kW	173 HP
Dimensions folded (L x W x H) approx.	6.000 x 1.700 x 2.950 mm	19'8" x 5'7" x 9'8"
Height (when drilling) max. (without extension)	4.800 mm	15'9"
Mass approx.	9.400 kg	20,723 lbs
Fuel tank (diesel)	175 liter	46 gallon
Load sensing hydraulic system	Included	Included
High pressure water pump	19 l/min. @ 210 bar	5 gpm @ 3,045 psi
Large flow water pump	160 l/min. @ 45 bar	42 gpm @ 652 psi
Stainless steel water tank	450 liter	119 gallon
Tracks with steel re-inforced rubber pads (2 speed)		
Radio remote for driving and drilling	Charger	2 batteries included
Casing rack	Included	Included
Work lights	4	4

Mast	Metric	Imperial
Stroke	3,600 mm	11'10"
Mast dump	800 mm	2'7"
Pull up	80 kN	17,984 lbf
Pull down	65 kN	14,612 lbf
Pull up and down speed	30 m/min	100 ft/min
Double hydraulic break out clamp	50 - 200 mm	2" - 7-7/8"
Clamping force	94 kN	21,130 lbf
Break out torque	26.5 kNm	19,545 ft-lbf
Hydraulic break out cylinder	Included	Included
Main winch		





Options	Metric	Imperial
SPT auto drop hammer with blow counter on control panel		
Mud pump triplex piston	200 liter @ 70 bar	53 gallon @ 1015 psi
SPX40 hose pump	114 l/min @ 9.6 bar	30 gpm @ 140 psi
Safety cage		
Triple foot clamp (fixed or floating)	Different sizes available	
ManipAll 200 (magnetic rod loading arm)		
Casing or drill rod storage depends on diameter and length		
Rotatable jibboom with second winch		



For more information on demos, pilot projects or personal advice contact our sales department !

For urgent service calls and/or technical information contact or special service telephone: +31 6 15 08 87 42



Výhradní zastoupení pro ČR a SR

K Třešňovce 700
Karlík u Prahy
Česká republika

+420 251 640 511
info@ekotechnika.cz
www.ekotechnika.cz