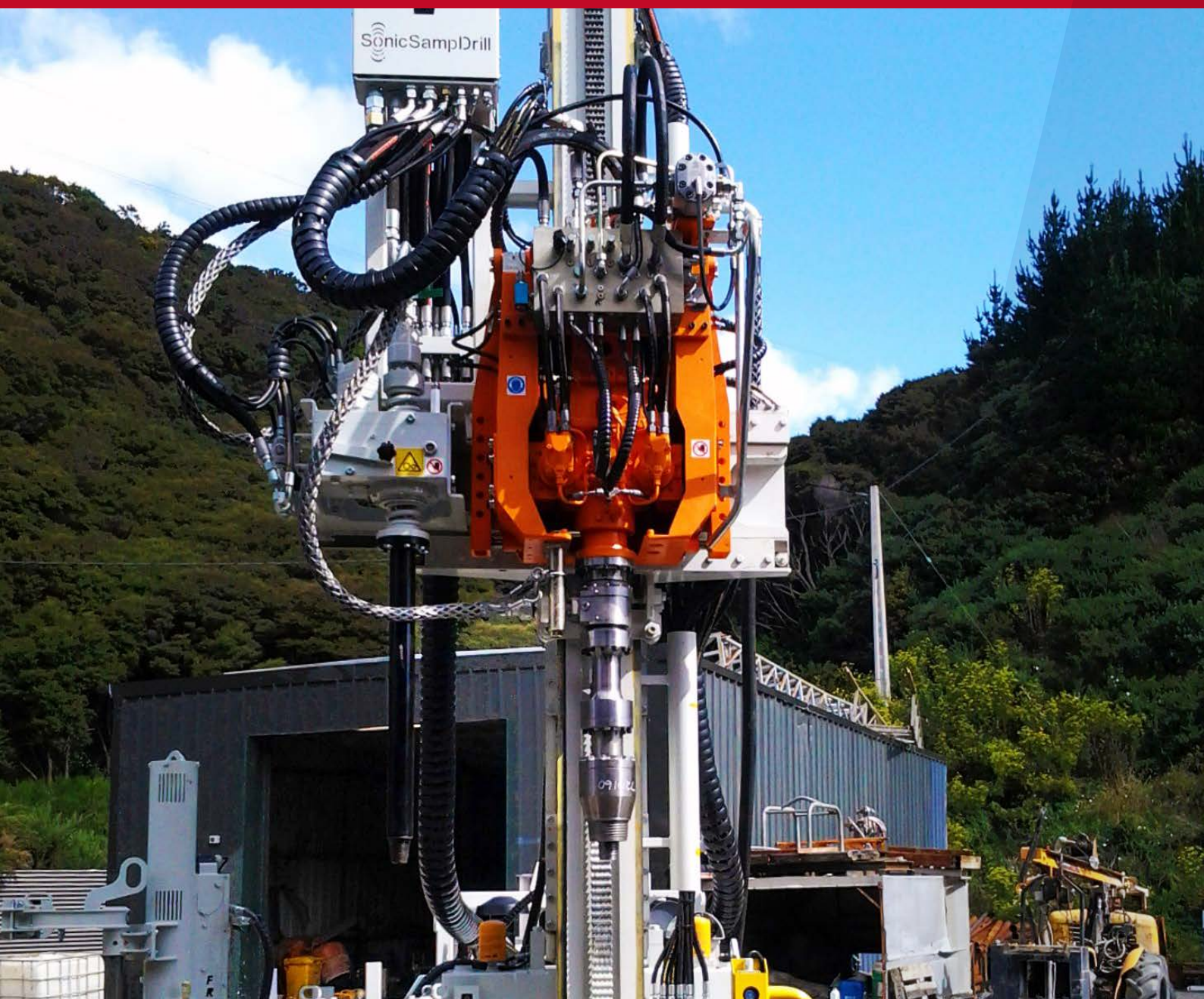


CompactRotoSonic XL DUO



Meet the difference

CRS XL DUO:

- Mineral sampling
- Environmental exploration
- Geotechnical sampling and testing
- Geo-constructional drilling
- Seismic drilling
- Customized solutions

The CompactRotoSonic Crawler XL DUO (CRS XL DUO) is equipped with a CompactRotoSonic drillhead as well as a four speed rotation head. Both heads are mounted on a hydraulic side shift.



CRS XL DUO

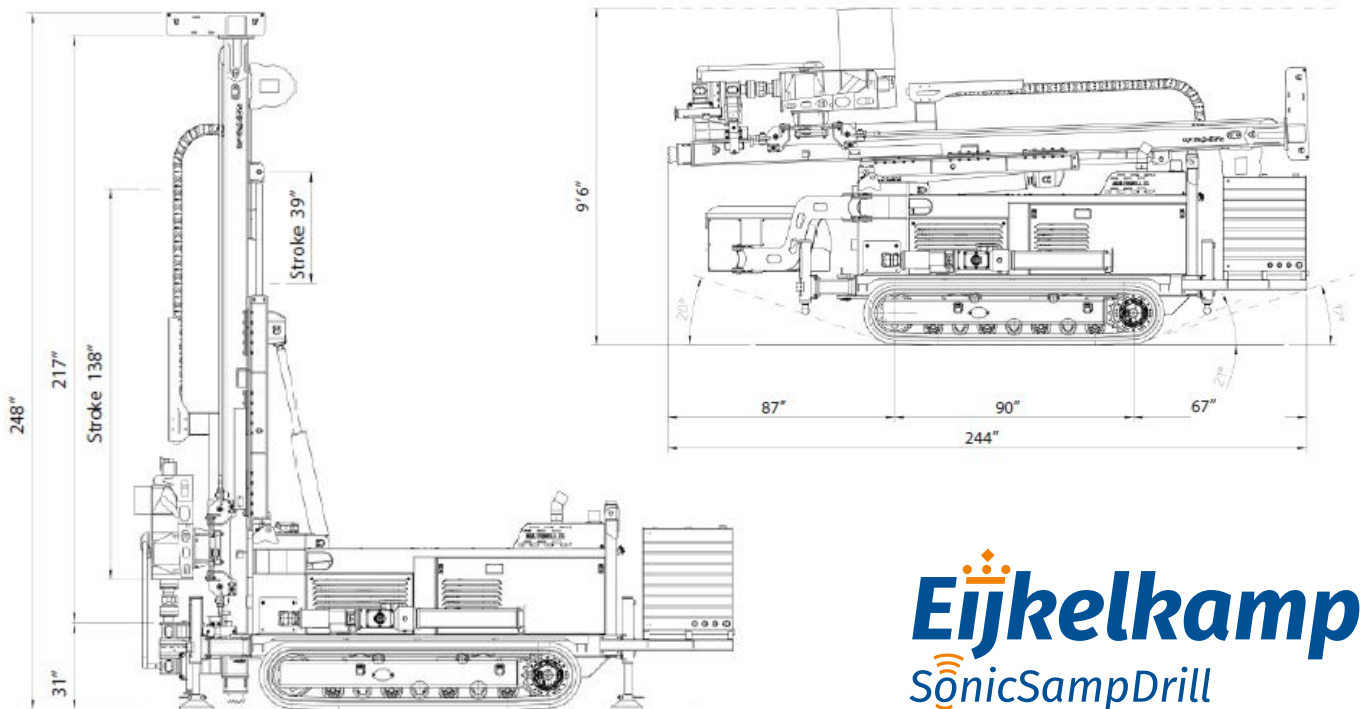
CompactRotoSonic HO Drill head	Metric	Imperial
Max. frequency	0 - 150 Hz	0 - 150 Hz
Sonic vibration oscillator output force	150 kN	33.8 k lbf
2 eccentrics, mechanically synchronized		
Rotation torque: clockwise 0-120 rpm	2.650 Nm @ 185 bar	1,955 ft-lbf @ 2,680 psi
Rotation torque: counter clockwise	3.000 Nm @ 210 bar	2,210 ft-lbf @ 3,045 psi
Head tilt max.	70°	70°
Type of damper / buffer	rubber 4x	rubber 4x
Max. hydraulic pressure on sonic	230 bar	3,335 psi
Mass of head	600 kg	1,350 lbf
Pull up force in combination with sonic	5.000 daN	11,240 lbf
Pull down force in combination with sonic	5.000 daN	11,240 lbf
Pull up force static	10.000 daN	22,480 lbf
Pull down force static	5.500 daN	12,400 lbf
Drilling under angle perpendicular driving direction	10°	10°
Advised power from rig engine	127 kW	170 HP

4-Speed rotary drill head	Metric	Imperial
Hydraulically driven in serial or parallel mode mechanical 4 speed selection		
Shock absorber		
Sub saver from rotary spindle		
Air / Mud swivel, inlet available	35 mm	1 3/8"
Torque / speed to select from	450 Nm @ 840 rpm to 5600 Nm @ 65 rpm	331 ft-lbf @ 849 rpm to 4130 ft-lbf @ 65 rpm

Rig	Metric	Imperial
Caterpillar 4 cylinder water cooled engine	129 kW	173 HP
Dimensions folded (L x W x H) approx.	6.000 x 2.100 x 2.890 mm	19'8" x 6'11" x 9'6"
Height (when drilling) max.	6.000 mm	19'8"
Mass approx.	10.250 kg	22,600 lbs
Fuel tank (diesel)	190 liter	50 gallon
Load sensing hydraulic system	Included	Included
Control panel on turning arm	Included	Included
High pressure water pump	19 l/min. @ 210 bar	5 gpm @ 3,045 psi
Large flow water pump	160 l/min. @ 45 bar	42 gpm @ 652 psi
Aluminum water tank	500 liter	132 gallon
Rubber tracks	Included	Included
Radio remote for driving	Included	Included
Work lights	4	4

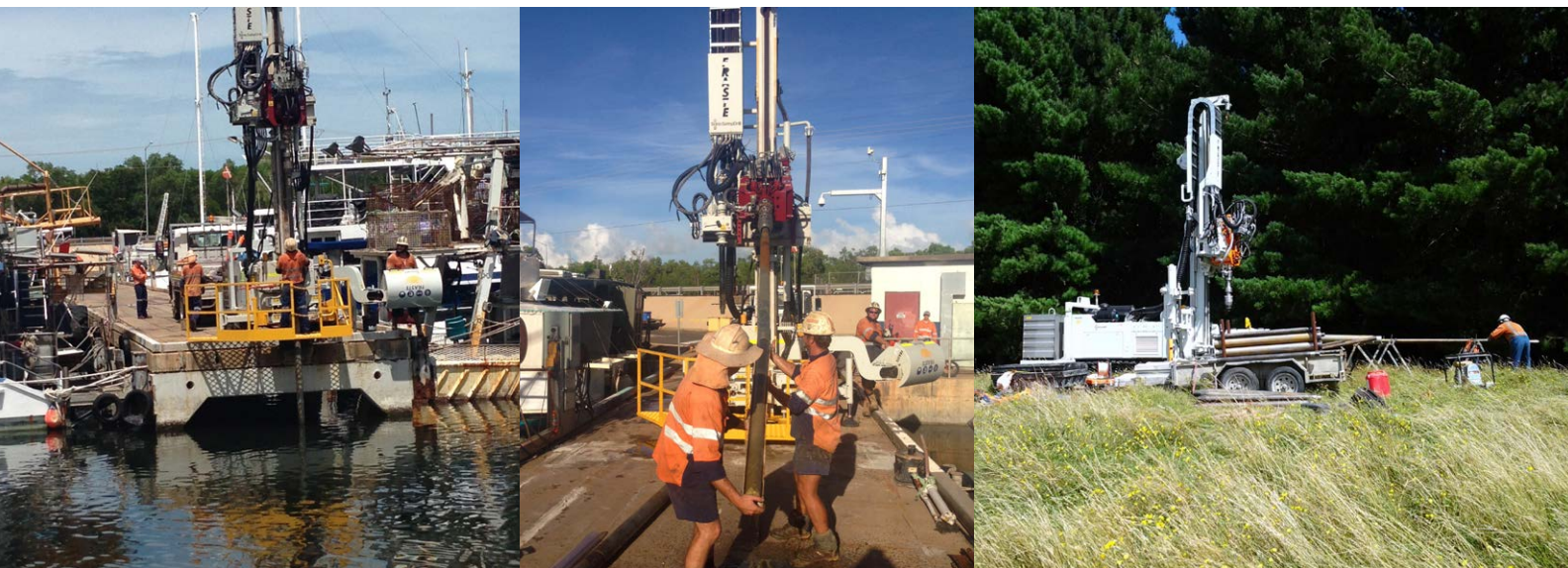
Mast	Metric	Imperial
Stroke	3.500 mm	11'6"
Mast dump	600 mm	2'
Pull up	50 kN	11,240 lbf
Pull down	35 kN	7,868 lbf
Pull up and down speed	40 m/min	130 ft/min
Double hydraulic break out clamp	60 - 280 mm	2 3/8" - 11"
Adjustable clamping force of	110 kN	24,730 lbf
Break out torque	20 kNm	14,750 ft-lbf
Main winch	1000 daN, 100 m/min, 100 m	2,250 ft-lbf, 328' /min, 328'

CRS XL DUO





Options	Metric	Imperial
SPT auto drop hammer with blow counter on control panel		
Casing lifter mounted on break out clamp	200 kN stroke 300 mm	45,000 lbs stroke 12"
Mud pump triplex piston	200 liter @ 70 bar	53 gallon @ 1015 psi
SPX40 hose pump	114 l/min @ 9.6 bar	30 gpm @ 140 psi
Steel tracks		
Triple floatable clamp		
ManipAll 200 (magnetic rod loading arm)		
Safety cage		
Slewable, extendable jibboom		



For more information on demos, pilot projects or personal advice contact our sales department !

For urgent service calls and/or technical information contact or special service telephone: +31 6 15 08 87 42

Eijkelkamp
SonicSampDrill

EkoTechnika

Výhradní zastoupení pro ČR a SR

K Třešňovce 700
Karlík u Prahy
Česká republika

+420 251 640 511
info@ekotechnika.cz
www.ekotechnika.cz