

SmallRotoSonic ML (SRS ML)



Meet the difference

SRS: Multi-purpose sonic rig

- Mineral sampling
- Environmental exploration
- Geotechnical sampling and testing
- Geo-constructional drilling
- Seismic drilling
- Customized solutions

The SmallRotoSonic (SRS) excels through capturing the powerful sonic force in an extraordinarily small and manoeuvrable package. Why use direct push when 150 Hz RotoSonic delivers faster and better results and provides extremely undisturbed samples.

SRS Crawler

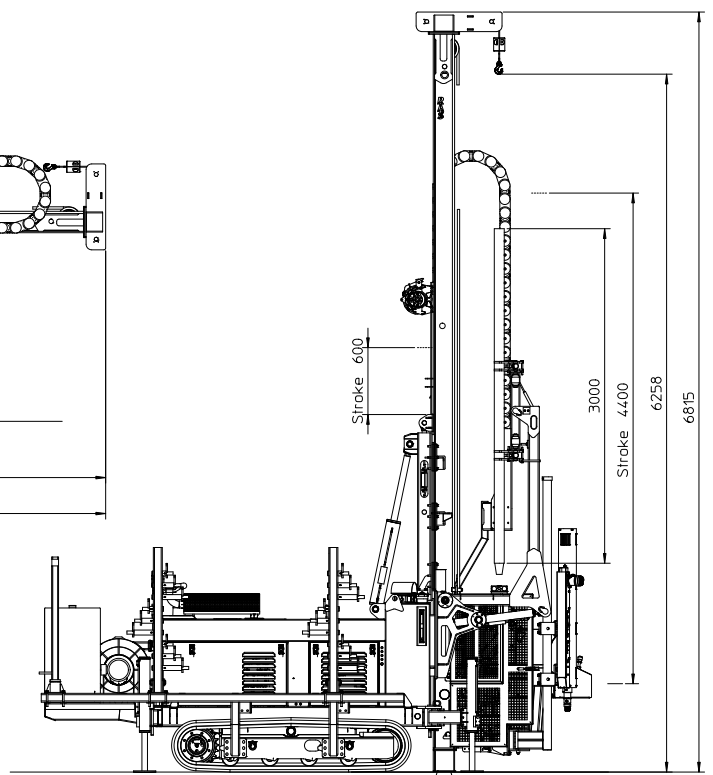
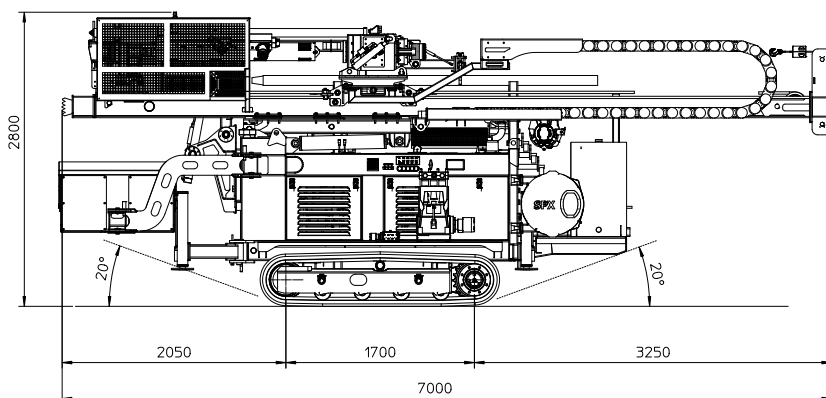


SmallRotoSonic Drill head	Metric	Imperial
Max. frequency	0 - 150 Hz	0 - 150 Hz
Sonic vibration oscillator output force	100 kN	22.5 k lbf
2 eccentrics, mechanically synchronized	Included	Included
Rotation torque: clockwise 0-120 rpm	1.200 Nm @ 150 bar	885 ft-lbf @ 2,175 psi
Rotation torque: counter clockwise	1.400 Nm @ 172 bar	1,030 ft-lbf @ 2,500 psi
Head tilt max.	65 degr.	65 degr.
Type of dampener / buffer	rubber 2x	rubber 2x
Max. hydraulic pressure on sonic	210 bar	3,045 psi
Mass of head	230 kg	517 lbs
Pull up force in combination with sonic	2.500 daN	5,620 lbf
Pull down force in combination with sonic	2.500 daN	5,620 lbf
Pull up force static	6.000 daN	13,500 lbf
Pull down force static	4.000 daN	9,000 lbf
Drilling under angle perpendicular driving direction	10 degr.	10 degr.
Advised power from rig engine	75 kW	100 HP

Rig	Metric	Imperial
Kubato 4 cylinder water cooled engine	75 kW	100 HP
Dimensions folded (L x W x H) approx.	6.000 x 1.700 x 2.950 mm	19'8" x 5'7" x 9'8"
Height (when drilling) max.	4.800 mm	15'9"
Mass approx. (depending on options)	3.500 - 5.000 kg	8,000 - 10,000 lbs
Fuel tank (diesel)	83 liter	22 gallon
Load sensing hydraulic system	Included	Included
High pressure water pump	19 l/min. @ 210 bar	5 gpm @ 3,045 psi
Large flow water pump	160 l/min. @ 45 bar	42 gpm @ 652 psi
Aluminum water tank	300 liter	79 gallon
Rubber tracks	width 1.450 mm	width 4'9"
Radio remote for driving	Charger	2 batteries included
Casing rack	Included	Included
Work lights	4	4

Mast	Metric	Imperial
Long stroke		
Stroke	3.500 mm	11'6"
Mast dump	600 mm	2'
Short stroke		
Stroke	2.000 mm	6'7"
Mast dump	600 mm	2'
Pull up	39.2 kN	8,812 lbf
Pull down	26.5 kN	5,957 lbf
Pull up and down speed	40 m/min	130 ft/min
Double hydraulic break out clamp	40 - 240 mm	1-1/2" - 9-1/2"
Adjustable clamping force of	97 kN	21,805 lbf
Break out torque	20 kNm	14,750 ft-lbf

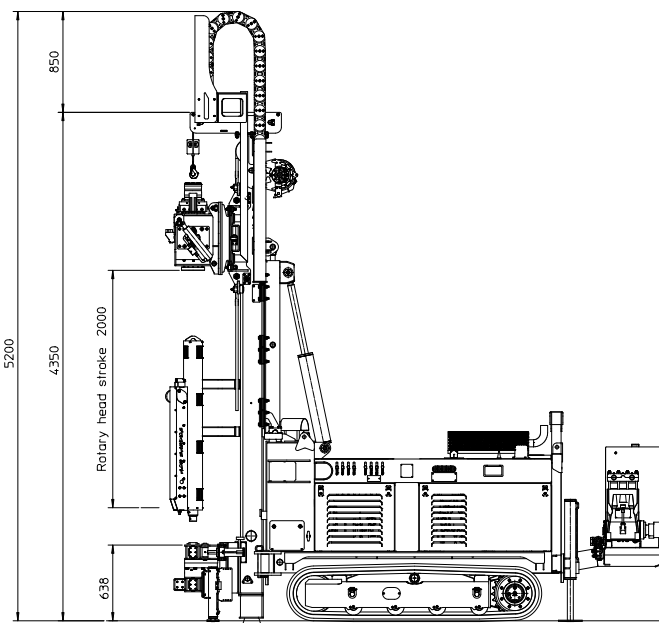
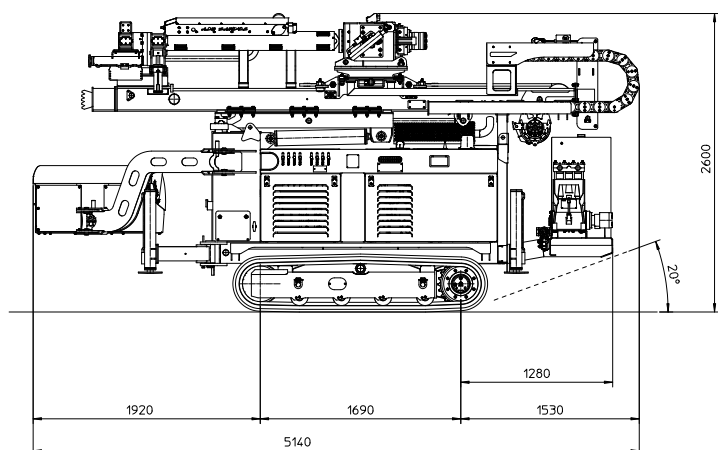
SRS ML Long Stroke





Options	Metric	Imperial
SPT auto drop hammer with blow counter on control panel		
SPX40 hose pump	114 l/min @ 9.6 bar	30 gpm @ 140 psi
Safety cage		
ManipAll 200 (magnetic rod loading arm)		
Casing or drill rod storage depends on diameter and length		
Rotatable jibboom		
Fraste hydraulic rod loader		
Special low clearant mast upon request		

SRS ML Short Stroke



For more information on demos, pilot projects or personal advice contact our sales department !

For urgent service calls and/or technical information contact or special service telephone: +31 6 15 08 87 42

Eijkelkamp
SonicSampDrill

EkoTechnika

Výhradní zastoupení pro ČR a SR

K Třešňovce 700
Karlík u Prahy
Česká republika

+420 251 640 511
info@ekotechnika.cz
www.ekotechnika.cz